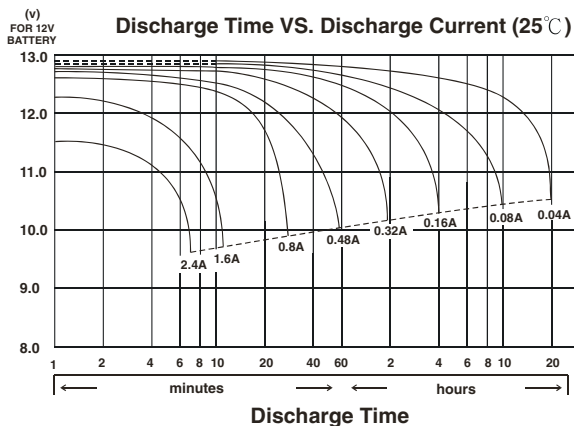
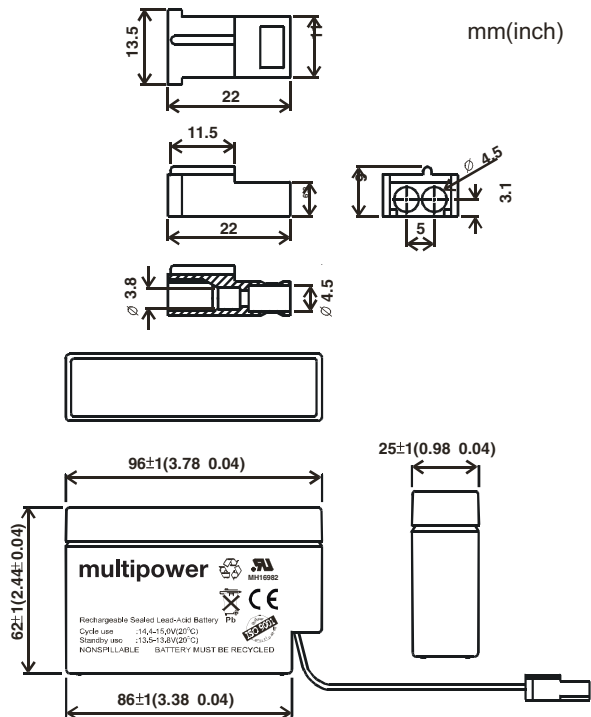


# RECHARGEABLE SEALED LEAD ACID BATTERY

# SPECIFICATION



## MP0,8-12AMP

**Nominal Voltage (V)** 12V

**Nominal Capacity**

20hour rate ( 0.04A to 10.50V )	0.8Ah
10hour rate ( 0.08A to 10.50V )	0.8Ah
5hour rate ( 0.136A to 10.20V )	0.68Ah
1C ( 0.8A to 9.60V )	0.36Ah
3C ( 2.4A to 9.60V )	0.288Ah

**Weight** 0.37kg(0.82lbs.)

**Internal Resistance (at 1KHz)** 125 mΩ

**Maximum Discharge Current for 30 seconds :** 16A

**Maximum Discharge Current for 5 seconds :** 32A

### Operating Temperature Range

Charge	0°C (32°F) to 40°C (104°F)
Discharge	-15°C (5°F) to 50°C (122°F)
Storage	-15°C (5°F) to 40°C (104°F)

### Charge Retention (shelf life) at 20°C (68°F)

1 month	92%
3 month	90%
6 month	80%

### Charging Methods at 25°C (77°F)

**Cycle use:**  
 Charging Voltage 14.4 to 15.0V  
 Maximum Charging Current: 0.24A

**Standby use:**  
 Float Charging Voltage 13.50 to 13.80V

### Life expectancy :

**Cycle Use:**  
 100% depth of discharge 200 cycles  
 80% depth of discharge 225 cycles  
 50% depth of discharge 500 cycles

**Standby Use:** 3-5 years

**Case Material** ABS  
 (Option: 94-HB & 94V-0 flame retardant case)

**Terminal** WIRE