

**Features**

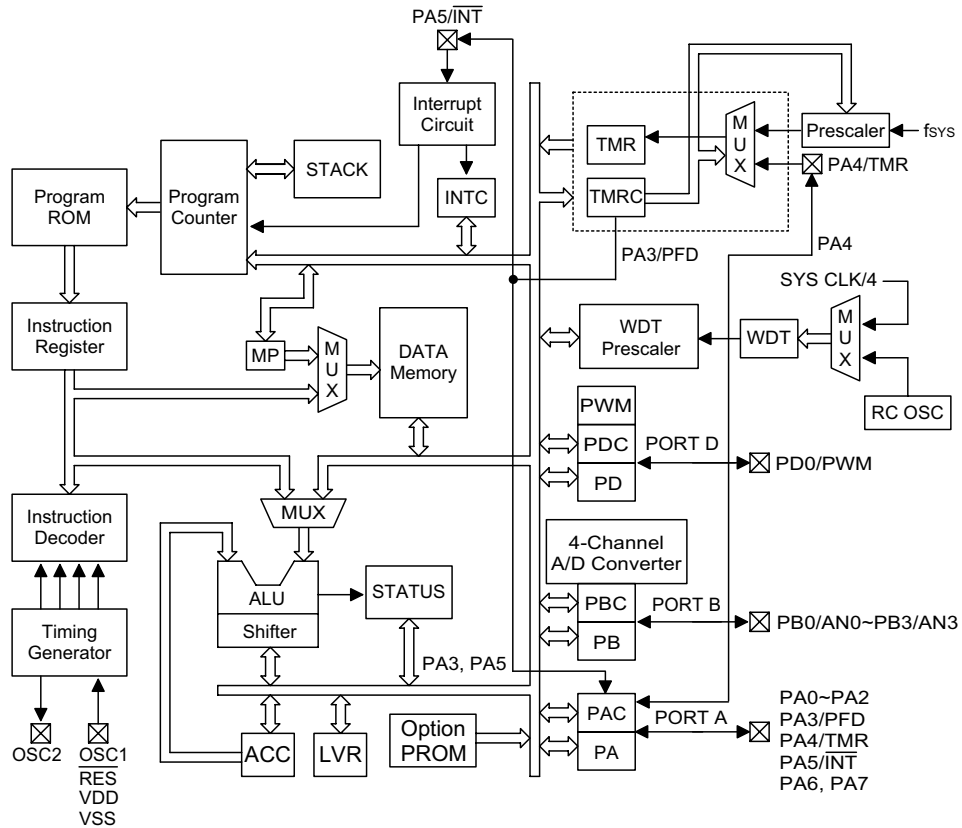
- Operating voltage:  
f<sub>SYS</sub>=4MHz: 3.3V~5.5V  
f<sub>SYS</sub>=8MHz: 4.5V~5.5V
- 13 bidirectional I/O lines (max.)
- 1 interrupt input shared with an I/O line
- 8-bit programmable timer/event counter with overflow interrupt and 7-stage prescaler
- On-chip crystal and RC oscillator
- Watchdog Timer
- 2048×14 program memory PROM
- 64×8 data memory RAM
- Supports PFD for sound generation
- HALT function and wake-up feature reduce power consumption
- Up to 0.5μs instruction cycle with 8MHz system clock at V<sub>DD</sub>=5V
- Six-level subroutine nesting
- 4 channels 9-bit resolution (8-bit accuracy) A/D converter
- 1 channel (6+2)-bit PWM output shared with an I/O line
- Bit manipulation instruction
- 14-bit table read instruction
- 63 powerful instructions
- All instructions in one or two machine cycles
- Low voltage reset function
- 18-pin DIP/SOP package

**General Description**

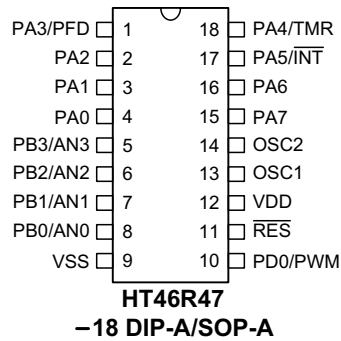
The device is an 8-bit high performance RISC-like microcontroller designed for multiple I/O product applications. The device is particularly suitable for use in products such as battery charger controllers and A/D applications. A HALT feature is included to reduce power consumption.

The program and option memories can be electrically programmed, making the microcontroller suitable for use in product development.

**Block Diagram**



**Pin Assignment**



**Pin Description**

| Pin No.                        | Pin Name  | I/O    | ROM Code Option                    | Description  |
|--------------------------------|---|--------|------------------------------------|--|
| 4~2<br>1<br>18<br>17<br>16, 15 | PA0~PA2<br>PA3/PFD<br>PA4/TMR<br>PA5/ $\overline{\text{INT}}$<br>PA6, PA7 | I/O    | Pull-high<br>Wake-up<br>PA3 or PFD | Bidirectional 8-bit input/output port. Each bit can be configured as wake-up input by ROM code option. Software instructions determine the CMOS output or Schmitt trigger input with or without pull-high resistor (determined by pull-high options: bit option). The PFD, TMR and $\overline{\text{INT}}$ are pin-shared with PA3, PA4 and PA5, respectively. |
| 8<br>7<br>6<br>5               | PB0/AN0<br>PB1/AN1<br>PB2/AN2<br>PB3/AN3                                  | I/O    | Pull-high                          | Bidirectional 4-bit input/output port. Software instructions determine the CMOS output, Schmitt trigger input with or without pull-high resistor (determined by pull-high options: bit option) or A/D input. Once a PB line is selected as an A/D input (by using software control), the I/O function and pull-high resistor are disabled automatically.       |
| 9                              | VSS   | —      | —                                  | Negative power supply, ground.   |
| 10                             | PD0/PWM   | I/O    | Pull-high<br>PD0 or<br>PWM         | Bidirectional I/O line. Software instructions determine the CMOS output, Schmitt trigger input with or without a pull-high resistor (determined by pull-high options: bit option). The PWM output function is pin-shared with PD0 (dependent on PWM options).  |
| 11                             | $\overline{\text{RES}}$   | I      | —                                  | Schmitt trigger reset input. Active low.   |
| 12                             | VDD   | —      | —                                  | Positive power supply  |
| 13<br>14                       | OSC1<br>OSC2  | I<br>O | Crystal<br>or RC                   | OSC1, OSC2 are connected to an RC network or a Crystal (determined by ROM code option) for the internal system clock. In the case of RC operation, OSC2 is the output terminal for 1/4 system clock.   |

**Absolute Maximum Ratings**

Supply Voltage .....  $V_{SS}-0.3V$  to  $V_{SS}+5.5V$       Storage Temperature .....  $-50^{\circ}\text{C}$  to  $125^{\circ}\text{C}$   
Input Voltage.....  $V_{SS}-0.3V$  to  $V_{DD}+0.3V$       Operating Temperature .....  $-40^{\circ}\text{C}$  to  $85^{\circ}\text{C}$

Note: These are stress ratings only. Stresses exceeding the range specified under "Absolute Maximum Ratings" may cause substantial damage to the device. Functional operation of this device at other conditions beyond those listed in the specification is not implied and prolonged exposure to extreme conditions may affect device reliability.

**D.C. Characteristics**

Ta=25°C

| Symbol            | Parameter  | Test Conditions |  | Min.               | Typ. | Max.               | Unit |
|-------------------|--|-----------------|--|--------------------|------|--------------------|------|
|                   |  | V <sub>DD</sub> | Conditions                                     |                    |      |                    |      |
| V <sub>DD1</sub>  | Operating Voltage  | —               | f <sub>SYS</sub> =4MHz                         | 3.3                | —    | 5.5                | V    |
| V <sub>DD2</sub>  | Operating Voltage  | —               | f <sub>SYS</sub> =8MHz                         | 4.5                | —    | 5.5                | V    |
| I <sub>DD1</sub>  | Operating Current<br>(Crystal OSC)                                   | 3.3V            | No load, f <sub>SYS</sub> =4MHz<br>ADC disable | —                  | 1.3  | 3                  | mA   |
|                   |  | 5V              |  | —                  | 3    | 5                  | mA   |
| I <sub>DD2</sub>  | Operating Current<br>(RC OSC)  | 3.3V            | No load, f <sub>SYS</sub> =4MHz<br>ADC disable | —                  | 1.3  | 3                  | mA   |
|                   |  | 5V              |  | —                  | 3    | 5                  | mA   |
| I <sub>DD3</sub>  | Operating Current  | 5V              | No load, f <sub>sys</sub> =8MHz<br>ADC disable | —                  | 4    | 8                  | mA   |
| I <sub>ADC</sub>  | Only ADC Enable,<br>Others Disable                                   | 3.3V            | No load  | —                  | 1    | 2                  | mA   |
|                   |  | 5V              |  | —                  | 2    | 4                  | mA   |
| I <sub>STB1</sub> | Standby Current<br>(WDT Enabled)                                     | 3.3V            | No load, system HALT                           | —                  | —    | 5                  | μA   |
|                   |  | 5V              |  | —                  | —    | 10                 | μA   |
| I <sub>STB2</sub> | Standby Current<br>(WDT Disabled)                                    | 3.3V            | No load, system HALT                           | —                  | —    | 1                  | μA   |
|                   |  | 5V              |  | —                  | —    | 2                  | μA   |
| V <sub>AD</sub>   | A/D Input Voltage  | —               | —  | 0                  | —    | V <sub>DD</sub>    | V    |
| V <sub>IL1</sub>  | Input Low Voltage for<br>I/O Ports, TMR and $\overline{\text{INT}}$  | 3.3V            | —  | 0                  | —    | 0.3V <sub>DD</sub> | V    |
|                   |  | 5V              | —  | 0                  | —    | 0.3V <sub>DD</sub> | V    |
| V <sub>IH1</sub>  | Input High Voltage for<br>I/O Ports, TMR and $\overline{\text{INT}}$ | 3.3V            | —  | 0.7V <sub>DD</sub> | —    | V <sub>DD</sub>    | V    |
|                   |  | 5V              | —  | 0.7V <sub>DD</sub> | —    | V <sub>DD</sub>    | V    |
| V <sub>IL2</sub>  | Input Low Voltage<br>( $\overline{\text{RES}}$ )                     | 3.3V            | —  | 0                  | —    | 0.4V <sub>DD</sub> | V    |
|                   |  | 5V              | —  | 0                  | —    | 0.4V <sub>DD</sub> | V    |
| V <sub>IH2</sub>  | Input High Voltage<br>( $\overline{\text{RES}}$ )                    | 3.3V            | —  | 0.9V <sub>DD</sub> | —    | V <sub>DD</sub>    | V    |
|                   |  | 5V              | —  | 0.9V <sub>DD</sub> | —    | V <sub>DD</sub>    | V    |
| V <sub>LVR</sub>  | Low Voltage Reset  | —               | —  | 2.7                | 3.0  | 3.3                | V    |
| I <sub>OL</sub>   | I/O Port Sink Current  | 3.3V            | V <sub>OL</sub> =0.1V <sub>DD</sub>            | 4                  | 8    | —                  | mA   |
|                   |  | 5V              | V <sub>OL</sub> =0.1V <sub>DD</sub>            | 10                 | 20   | —                  | mA   |
| I <sub>OH</sub>   | I/O Port Source<br>Current   | 3.3V            | V <sub>OH</sub> =0.9V <sub>DD</sub>            | -2                 | -4   | —                  | mA   |
|                   |  | 5V              | V <sub>OH</sub> =0.9V <sub>DD</sub>            | -5                 | -10  | —                  | mA   |

| Symbol          | Parameter            | Test Conditions |            | Min. | Typ. | Max. | Unit |
|-----------------|----------------------|-----------------|------------|------|------|------|------|
|                 |                      | V <sub>DD</sub> | Conditions |      |      |      |      |
| R <sub>PH</sub> | Pull-high Resistance | 3.3V            | —          | 40   | 60   | 80   | kΩ   |
|                 |                      | 5V              | —          | 10   | 30   | 50   | kΩ   |
| E <sub>AD</sub> | A/D Conversion Error | 5V              | —          | —    | ±0.5 | ±1   | LSB  |

**A.C. Characteristics**

Ta=25°C

| Symbol              | Parameter                               | Test Conditions |                   | Min.            | Typ. | Max.            | Unit              |
|---------------------|---|-----------------|-------------------|-----------------|------|-----------------|-------------------|
|                     |   | V <sub>DD</sub> | Conditions        |                 |      |                 |                   |
| f <sub>SYS1</sub>   | System Clock (Crystal OSC)              | 3.3V            | —                 | 400             | —    | 4000            | kHz               |
|                     |   | 5V              | —                 | 400             | —    | 8000            | kHz               |
| f <sub>SYS2</sub>   | System Clock (RC OSC)                   | 3.3V            | —                 | 400             | —    | 4000            | kHz               |
|                     |   | 5V              | —                 | 400             | —    | 8000            | kHz               |
| f <sub>TIMER</sub>  | Timer I/P Frequency (TMR)               | 3.3V            | —                 | 0               | —    | 4000            | kHz               |
|                     |   | 5V              | —                 | 0               | —    | 8000            | kHz               |
| t <sub>AD</sub>     | A/D Clock Period                        | 5V              | —                 | 1               | —    | —               | μs                |
| t <sub>ADC</sub>    | A/D Conversion Time                     | —               | —                 | —               | 76   | —               | t <sub>AD</sub>   |
| t <sub>WDTOSC</sub> | Watchdog Oscillator                     | 3.3V            | —                 | 43              | 86   | 168             | μs                |
|                     |   | 5V              | —                 | 36              | 72   | 144             | μs                |
| t <sub>WDT1</sub>   | Watchdog Time-out Period (RC)           | 3.3V            | —                 | 2.8             | 5.6  | 11              | s                 |
|                     |   | 5V              | —                 | 2.3             | 4.7  | 9.4             | s                 |
| t <sub>WDT2</sub>   | Watchdog Time-out Period (System Clock) | —               | —                 | 2 <sup>17</sup> | —    | 2 <sup>18</sup> | t <sub>SYS</sub>  |
| t <sub>RES</sub>    | External Reset Low Pulse Width          | —               | —                 | 1               | —    | —               | μs                |
| t <sub>SST</sub>    | System Start-up Timer Period            | —               | Wake-up from HALT | —               | 1024 | —               | *t <sub>SYS</sub> |
| t <sub>INT</sub>    | Interrupt Pulse Width                   | —               | —                 | 1               | —    | —               | μs                |

 Note: \*t<sub>SYS</sub>=1/f<sub>SYS</sub>

## Functional Description

### Execution flow

The system clock for the microcontroller is derived from either a crystal or an RC oscillator. The system clock is internally divided into four non-overlapping clocks. One instruction cycle consists of four system clock cycles.

Instruction fetching and execution are pipelined in such a way that a fetch takes an instruction cycle while decoding and execution takes the next instruction cycle. However, the pipelining scheme causes each instruction to effectively execute in a cycle. If an instruction changes the program counter, two cycles are required to complete the instruction.

### Program counter – PC

The program counter (PC) controls the sequence in which the instructions stored in program PROM are executed and its contents specify full range of program memory.

After accessing a program memory word to fetch an instruction code, the contents of the program counter are incremented by one. The program counter then points to the memory word containing the next instruction code.

When executing a jump instruction, conditional skip execution, loading PCL register, subroutine call, initial reset, internal interrupt, external interrupt or return from subroutine, the PC manipulates the program transfer by loading the address corresponding to each instruction.

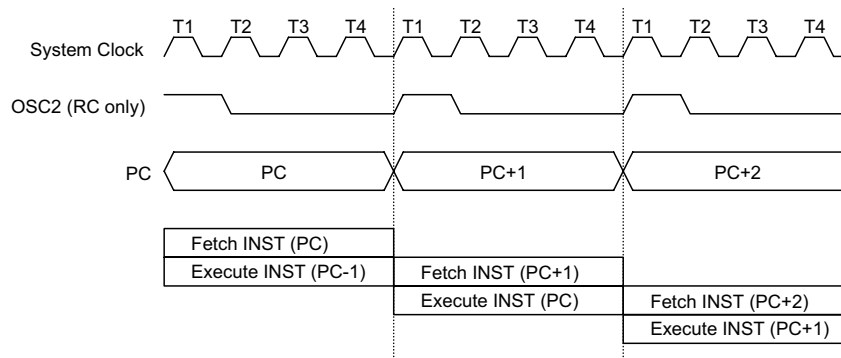
The conditional skip is activated by instructions. Once the condition is met, the next instruction, fetched during the current instruction execution, is discarded and a dummy cycle replaces it to get the proper instruction. Otherwise proceed with the next instruction.

The lower byte of the program counter (PCL) is a readable and writeable register (06H). Moving data into the PCL performs a short jump. The destination will be within 256 locations.

When a control transfer takes place, an additional dummy cycle is required.

### Program memory – PROM

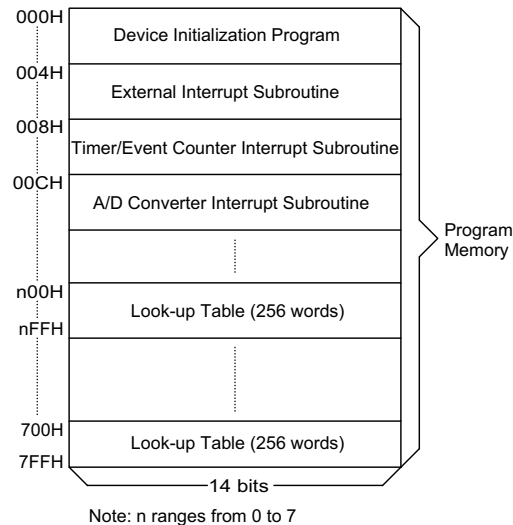
The program memory is used to store the program instructions which are to be executed. It also contains data, table, and interrupt entries, and is organized into 2048×14 bits, addressed by the program counter and table pointer.



Execution flow

Certain locations in the program memory are reserved for special usage:

- Location 000H  
This area is reserved for program initialization. After chip reset, the program always begins execution at location 000H.
- Location 004H  
This area is reserved for the external interrupt service program. If the  $\overline{INT}$  input pin is activated, the interrupt is enabled and the stack is not full, the program begins execution at location 004H.
- Location 008H  
This area is reserved for the timer/event counter interrupt service program. If a timer interrupt results from a timer/event counter overflow, and if the interrupt is enabled and the stack is not full, the program begins execution at location 008H.
- Location 00CH  
This area is reserved for the A/D converter interrupt service program. If an A/D converter interrupt results from an end of A/D conversion, and if the interrupt is enabled and the stack is not full, the program begins execution at location 00CH.



Program memory

- Table location  
Any location in the PROM space can be used as look-up tables. The instructions "TABRDC [m]" (the current page, 1 page=256 words) and "TABRDL [m]" (the last page) transfer the contents of the lower-order byte to the specified data memory, and the higher-order byte to TBLH (08H). Only the destination of the lower-order byte in the table is

| Mode                         | Program Counter |    |    |    |    |    |    |    |    |    |    |
|------------------------------|-----------------|----|----|----|----|----|----|----|----|----|----|
|                              | *10             | *9 | *8 | *7 | *6 | *5 | *4 | *3 | *2 | *1 | *0 |
| Initial Reset                | 0               | 0  | 0  | 0  | 0  | 0  | 0  | 0  | 0  | 0  | 0  |
| External Interrupt           | 0               | 0  | 0  | 0  | 0  | 0  | 0  | 0  | 1  | 0  | 0  |
| Timer/Event Counter Overflow | 0               | 0  | 0  | 0  | 0  | 0  | 0  | 1  | 0  | 0  | 0  |
| A/D Converter Interrupt      | 0               | 0  | 0  | 0  | 0  | 0  | 0  | 1  | 1  | 0  | 0  |
| Skip                         | PC+2            |    |    |    |    |    |    |    |    |    |    |
| Loading PCL                  | *10             | *9 | *8 | @7 | @6 | @5 | @4 | @3 | @2 | @1 | @0 |
| Jump, Call Branch            | #10             | #9 | #8 | #7 | #6 | #5 | #4 | #3 | #2 | #1 | #0 |
| Return from Subroutine       | S10             | S9 | S8 | S7 | S6 | S5 | S4 | S3 | S2 | S1 | S0 |

Program counter

Note: \*10~\*0: Program counter bits  
#10~#0: Instruction code bits

S10~S0: Stack register bits  
@7~@0: PCL bits

well-defined, the other bits of the table word are transferred to the lower portion of TBLH, and the remaining 2 bits are read as "0". The Table Higher-order byte register (TBLH) is read only. The table pointer (TBLP) is a read/write register (07H), which indicates the table location. Before accessing the table, the location must be placed in TBLP. The TBLH is read only and cannot be restored. If the main routine and the ISR (Interrupt Service Routine) both employ the table read instruction, the contents of the TBLH in the main routine are likely to be changed by the table read instruction used in the ISR. Errors can occur. In other words, using the table read instruction in the main routine and the ISR simultaneously should be avoided. However, if the table read instruction has to be applied in both the main routine and the ISR, the interrupt is supposed to be disabled prior to the table read instruction. It will not be enabled until the TBLH has been backed up. All table related instructions require two cycles to complete the operation. These areas may function as normal program memory depending upon the requirements.

#### Stack register – STACK

This is a special part of the memory which is used to save the contents of the program counter (PC) only. The stack is organized into 6 levels and is neither part of the data nor part of the program space, and is neither readable nor writeable. The activated level is indexed by the stack pointer (SP) and is neither readable nor writeable. At a subroutine call or interrupt acknowledgment, the contents of the program counter are pushed onto the stack. At the end of

a subroutine or an interrupt routine, signaled by a return instruction (RET or RETI), the program counter is restored to its previous value from the stack. After a chip reset, the SP will point to the top of the stack.

If the stack is full and a non-masked interrupt takes place, the interrupt request flag will be recorded but the acknowledgment will be inhibited. When the stack pointer is decremented (by RET or RETI), the interrupt will be serviced. This feature prevents stack overflow allowing the programmer to use the structure more easily. In a similar case, if the stack is full and a "CALL" is subsequently executed, stack overflow occurs and the first entry will be lost (only the most recent 6 return addresses are stored).

#### Data memory – RAM

The data memory is designed with 85×8 bits. The data memory is divided into two functional groups: special function registers and general purpose data memory (64×8). Most are read/write, but some are read only.

The special function registers include the indirect addressing register (00H), timer/event counter (TMR;0DH), timer/event counter control register (TMRC;0EH), program counter lower-order byte register (PCL;06H), memory pointer register (MP;01H), accumulator (ACC;05H), table pointer (TBLP;07H), table higher-order byte register (TBLH;08H), status register (STATUS;0AH), interrupt control register (INTC;0BH), PWM data register (PWM;1AH), the A/D result lower-order byte register (ADRL;20H), the A/D result higher-order byte register (ADRH;21H), the A/D control register (ADCR;22H), the A/D

| Instruction | Table Location |    |    |    |    |    |    |    |    |    |    |
|-------------|----------------|----|----|----|----|----|----|----|----|----|----|
|             | *10            | *9 | *8 | *7 | *6 | *5 | *4 | *3 | *2 | *1 | *0 |
| TABRDC [m]  | P10            | P9 | P8 | @7 | @6 | @5 | @4 | @3 | @2 | @1 | @0 |
| TABRDL [m]  | 1              | 1  | 1  | @7 | @6 | @5 | @4 | @3 | @2 | @1 | @0 |

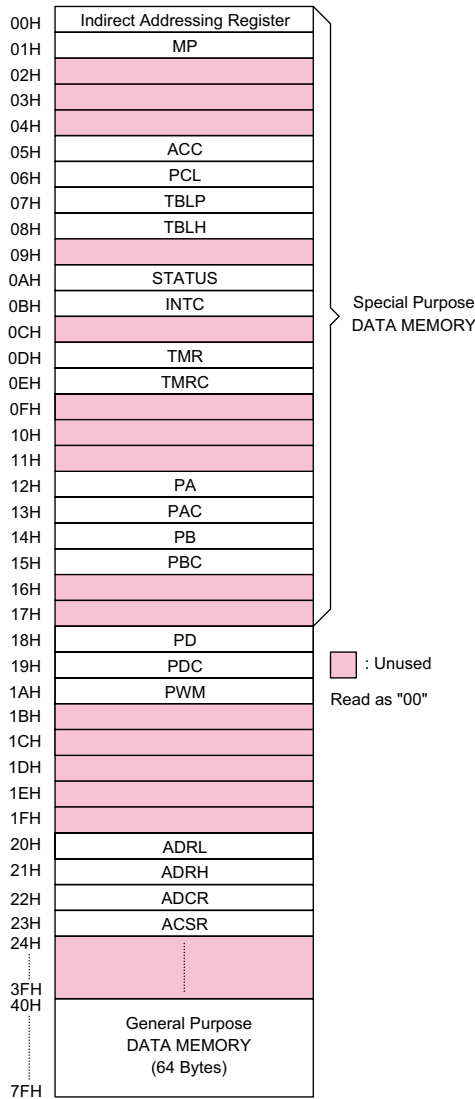
Table location

Note: \*10~\*0: Table location bits  
 @7~@0: Table pointer bits

P10~P8: Current program counter bits



clock setting register (ACSR;23H), I/O registers (PA;12H, PB;14H, PD;18H) and I/O control registers (PAC;13H, PBC;15H, PDC;19H). The remaining space before the 40H is reserved for future expanded usage and reading these locations will get "00H". The general purpose data memory, addressed from 40H to 7FH, is used for data and control information under instruction commands.



RAM mapping

All of the data memory areas can handle arithmetic, logic, increment, decrement and rotate operations directly. Except for some dedicated bits, each bit in the data memory can be set and reset by "SET [m].i" and "CLR [m].i". They are also indirectly accessible through memory pointer register (MP;01H).

**Indirect addressing register**

Location 00H is an indirect addressing register that is not physically implemented. Any read/write operation of [00H] accesses data memory pointed to by MP (01H). Reading location 00H itself indirectly will return the result 00H. Writing indirectly results in no operation.

The memory pointer register MP (01H) is a 7-bit register. The bit 7 of MP is undefined and reading will return the result "1". Any writing operation to MP will only transfer the lower 7-bit data to MP.

**Accumulator**

The accumulator is closely related to ALU operations. It is also mapped to location 05H of the data memory and can carry out immediate data operations. The data movement between two data memory locations must pass through the accumulator.

**Arithmetic and logic unit – ALU**

This circuit performs 8-bit arithmetic and logic operations. The ALU provides the following functions:

- Arithmetic operations (ADD, ADC, SUB, SBC, DAA)
- Logic operations (AND, OR, XOR, CPL)
- Rotation (RL, RR, RLC, RRC)
- Increment and Decrement (INC, DEC)
- Branch decision (SZ, SNZ, SIZ, SDZ ....)

The ALU not only saves the results of a data operation but also changes the status register.

**Status register – STATUS**

This 8-bit register (0AH) contains the zero flag (Z), carry flag (C), auxiliary carry flag (AC), overflow flag (OV), power down flag (PD), and watchdog time-out flag (TO). It also records the

status information and controls the operation sequence.

With the exception of the TO and PD flags, bits in the status register can be altered by instructions like most other registers. Any data written into the status register will not change the TO or PD flag. In addition operations related to the status register may give different results from those intended. The TO flag can be affected only by system power-up, a WDT time-out or executing the "CLR WDT" or "HALT" instruction. The PD flag can be affected only by executing the "HALT" or "CLR WDT" instruction or a system power-up.

The Z, OV, AC and C flags generally reflect the status of the latest operations.

In addition, on entering the interrupt sequence or executing the subroutine call, the status register will not be pushed onto the stack automatically. If the contents of the status are important and if the subroutine can corrupt the status register, precautions must be taken to save it properly.

### Interrupt

The device provides an external interrupt, in-

ternal timer/event counter interrupt and A/D converter interrupts. The Interrupt Control Register (INTC;0BH) contains the interrupt control bits to set the enable/disable and the interrupt request flags.

Once an interrupt subroutine is serviced, all the other interrupts will be blocked (by clearing the EMI bit). This scheme may prevent any further interrupt nesting. Other interrupt requests may happen during this interval but only the interrupt request flag is recorded. If a certain interrupt requires servicing within the service routine, the EMI bit and the corresponding bit of INTC may be set to allow interrupt nesting. If the stack is full, the interrupt request will not be acknowledged, even if the related interrupt is enabled, until the SP is decremented. If immediate service is desired, the stack must be prevented from becoming full.

All these kinds of interrupts have a wake-up capability. As an interrupt is serviced, a control transfer occurs by pushing the program counter onto the stack, followed by a branch to a subroutine at specified location in the program memory. Only the program counter is pushed onto the stack. If the contents of the register or status register (STATUS) are altered by the interrupt service program which corrupts the de-

| Labels | Bits | Function   |
|--------|------|--|
| C      | 0    | C is set if the operation results in a carry during an addition operation or if a borrow does not take place during a subtraction operation; otherwise C is cleared. C is also affected by a rotate through carry instruction. |
| AC     | 1    | AC is set if the operation results in a carry out of the low nibbles in addition or no borrow from the high nibble into the low nibble in subtraction; otherwise AC is cleared.  |
| Z      | 2    | Z is set if the result of an arithmetic or logic operation is zero; otherwise Z is cleared.  |
| OV     | 3    | OV is set if the operation results in a carry into the highest-order bit but not a carry out of the highest-order bit, or vice versa; otherwise OV is cleared.   |
| PD     | 4    | PD is cleared by system power-up or executing the "CLR WDT" instruction. PD is set by executing the "HALT" instruction.  |
| TO     | 5    | TO is cleared by system power-up or executing the "CLR WDT" or "HALT" instruction. TO is set by a WDT time-out.  |
| —      | 6, 7 | Unused bit, read as "0"  |

Status register

sired control sequence, the contents should be saved in advance.

External interrupts are triggered by a high to low transition of  $\overline{INT}$  and the related interrupt request flag (EIF; bit 4 of INTC) will be set. When the interrupt is enabled, the stack is not full and the external interrupt is active, a subroutine call to location 04H will occur. The interrupt request flag (EIF) and EMI bits will be cleared to disable other interrupts.

The internal timer/event counter interrupt is initialized by setting the timer/event counter interrupt request flag (TF; bit 5 of INTC), caused by a timer overflow. When the interrupt is enabled, the stack is not full and the TF bit is set, a subroutine call to location 08H will occur. The related interrupt request flag (TF) will be reset and the EMI bit cleared to disable further interrupts.

The A/D converter interrupt is initialized by setting the A/D converter request flag (ADF; bit 6 of INTC), caused by an end of A/D conversion. When the interrupt is enabled, the stack is not full and the ADF is set, a subroutine call to location 0CH will occur. The related interrupt request flag (ADF) will be reset and the EMI bit

cleared to disable further interrupts.

During the execution of an interrupt subroutine, other interrupt acknowledgments are held until the "RETI" instruction is executed or the EMI bit and the related interrupt control bit are set to 1 (of course, if the stack is not full). To return from the interrupt subroutine, "RET" or "RETI" may be invoked. RETI will set the EMI bit to enable an interrupt service, but RET will not.

Interrupts, occurring in the interval between the rising edges of two consecutive T2 pulses, will be serviced on the latter of the two T2 pulses, if the corresponding interrupts are enabled. In the case of simultaneous requests the following table shows the priority that is applied. These can be masked by resetting the EMI bit.

| No. | Interrupt Source             | Priority | Vector |
|-----|------------------------------|----------|--------|
| a   | External Interrupt           | 1        | 04H    |
| b   | Timer/event Counter Overflow | 2        | 08H    |
| c   | A/D Converter Interrupt      | 3        | 0CH    |

The timer/event counter interrupt request flag (TF), external interrupt request flag (EIF), A/D

| Register      | Bit No. | Label | Function   |
|---------------|---------|-------|--|
| INTC<br>(0BH) | 0       | EMI   | Controls the master (global) interrupt (1= enabled; 0= disabled)     |
|               | 1       | E EI  | Controls the external interrupt (1= enabled; 0= disabled)            |
|               | 2       | E TI  | Controls the timer/event counter interrupt (1= enabled; 0= disabled) |
|               | 3       | E ADI | Controls the A/D converter interrupt (1= enabled; 0= disabled)       |
|               | 4       | EIF   | External interrupt request flag (1= active; 0= inactive)             |
|               | 5       | TF    | Internal timer/event counter request flag (1= active; 0= inactive)   |
|               | 6       | ADF   | A/D converter request flag (1= active; 0= inactive)                  |
|               | 7       | —     | Unused bit, read as "0"  |

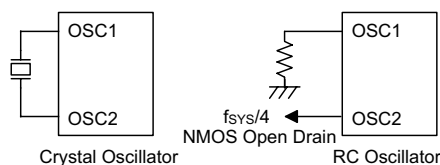
INTC register

converter request flag (ADF), enable timer/event counter bit (ETI), enable external interrupt bit (EEI), enable A/D converter interrupt bit (EADI) and enable master interrupt bit (EMI) constitute an interrupt control register (INTC) which is located at 0BH in the data memory. EMI, EEI, ETI, EADI are used to control the enabling/disabling of interrupts. These bits prevent the requested interrupt from being serviced. Once the interrupt request flags (TF, EIF, ADF) are set, they will remain in the INTC register until the interrupts are serviced or cleared by a software instruction.

It is recommended that a program does not use the "CALL subroutine" within the interrupt subroutine. Interrupts often occur in an unpredictable manner or need to be serviced immediately in some applications. If only one stack is left and enabling the interrupt is not well controlled, the original control sequence will be damaged once the "CALL" operates in the interrupt subroutine.

**Oscillator configuration**

There are two oscillator circuits in the microcontroller.



System oscillator

Both are designed for system clocks, namely the RC oscillator and the Crystal oscillator, which are determined by the ROM code option. No matter what oscillator type is selected, the signal provides the system clock. The HALT

mode stops the system oscillator and ignores an external signal to conserve power.

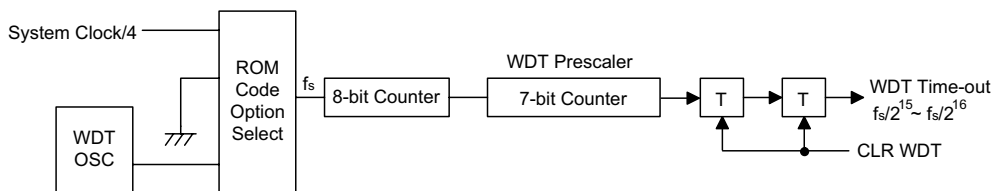
If an RC oscillator is used, an external resistor between OSC1 and VSS is required and the resistance must range from 30kΩ to 750kΩ. The system clock, divided by 4, is available on OSC2, which can be used to synchronize external logic. The RC oscillator provides the most cost effective solution. However, the frequency of oscillation may vary with VDD, temperatures and the chip itself due to process variations. It is, therefore, not suitable for timing sensitive operations where an accurate oscillator frequency is desired.

If the Crystal oscillator is used, a crystal across OSC1 and OSC2 is needed to provide the feedback and phase shift required for the oscillator, and no other external components are required. Instead of a crystal, a resonator can also be connected between OSC1 and OSC2 to get a frequency reference, but two external capacitors in OSC1 and OSC2 are required (If the oscillating frequency is less than 1MHz).

The WDT oscillator is a free running on-chip RC oscillator, and no external components are required. Even if the system enters the power down mode, the system clock is stopped, but the WDT oscillator still works with a period of approximately 72μs/5V. The WDT oscillator can be disabled by ROM code option to conserve power.

**Watchdog Timer – WDT**

The clock source of WDT is implemented by a dedicated RC oscillator (WDT oscillator) or instruction clock (system clock divided by 4), decided by ROM code option. This timer is designed to prevent a software malfunction or sequence from jumping to an unknown location with unpredictable results. The Watchdog



Watchdog Timer

Timer can be disabled by a ROM code option. If the Watchdog Timer is disabled, all the executions related to the WDT result in no operation.

Once the internal oscillator (RC oscillator with a period of 72 $\mu$ s/5V normally) is selected, it is first divided by 256 (8-stage) to get the nominal time-out period of approximately 18.6ms/5V. This time-out period may vary with temperatures, VDD and process variations. By invoking the WDT prescaler, longer time-out periods can be realized and the maximum time-out period is 2.3s/5V~4.7s/5V seconds. If the WDT oscillator is disabled, the WDT clock may still come from the instruction clock and operate in the same manner except that in the HALT state the WDT may stop counting and lose its protecting purpose. In this situation the logic can only be restarted by external logic.

If the device operates in a noisy environment, using the on-chip RC oscillator (WDT OSC) is strongly recommended, since the HALT will stop the system clock.

The WDT overflow under normal operation will initialize "chip reset" and set the status bit "TO". But in the HALT mode, the overflow will initialize a "warm reset", and only the PC and SP are reset to zero. To clear the contents of WDT, three methods are adopted; external reset (a low level to  $\overline{\text{RES}}$ ), software instruction and a "HALT" instruction. The software instruction include "CLR WDT" and the other set – "CLR WDT1" and "CLR WDT2". Of these two types of instruction, only one can be active depending on the ROM code option – "CLR WDT times selection option". If the "CLR WDT" is selected (i.e. CLRWDT times equal one), any execution of the "CLR WDT" instruction will clear the WDT. In the case that "CLR WDT1" and "CLR WDT2" are chosen (i.e. CLRWDT times equal two), these two instructions must be executed to clear the WDT; otherwise, the WDT may reset the chip as a result of time-out.

#### **Power down operation – HALT**

The HALT mode is initialized by the "HALT" instruction and results in the following...

- The system oscillator will be turned off but the WDT oscillator keeps running (if the WDT oscillator is selected).

- The contents of the on chip RAM and registers remain unchanged.
- WDT will be cleared and recounted again (if the WDT clock is from the WDT oscillator).
- All of the I/O ports maintain their original status.
- The PD flag is set and the TO flag is cleared.

The system can leave the HALT mode by means of an external reset, an interrupt, an external falling edge signal on port A or a WDT overflow. An external reset causes a device initialization and the WDT overflow performs a "warm reset". After the TO and PD flags are examined, the reason for chip reset can be determined. The PD flag is cleared by system power-up or executing the "CLR WDT" instruction and is set when executing the "HALT" instruction. The TO flag is set if the WDT time-out occurs, and causes a wake-up that only resets the PC and SP; the others keep their original status.

The port A wake-up and interrupt methods can be considered as a continuation of normal execution. Each bit in port A can be independently selected to wake up the device by the ROM code option. Awakening from an I/O port stimulus, the program will resume execution of the next instruction. If it is awakening from an interrupt, two sequences may happen. If the related interrupt is disabled or the interrupt is enabled but the stack is full, the program will resume execution at the next instruction. If the interrupt is enabled and the stack is not full, the regular interrupt response takes place. If an interrupt request flag is set to "1" before entering the HALT mode, the wake-up function of the related interrupt will be disabled. Once a wake-up event occurs, it takes 1024  $t_{\text{SYS}}$  (system clock period) to resume normal operation. In other words, a dummy period will be inserted after wake-up. If the wake-up results from an interrupt acknowledgment, the actual interrupt subroutine execution will be delayed by one or more cycles. If the wake-up results in the next instruction execution, this will be executed immediately after the dummy period is finished.

To minimize power consumption, all the I/O pins should be carefully managed before entering the HALT status.

**Reset**

There are three ways in which a reset can occur:

- $\overline{RES}$  reset during normal operation
- $\overline{RES}$  reset during HALT
- WDT time-out reset during normal operation

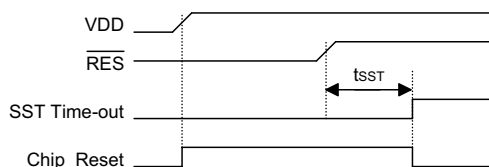
The WDT time-out during HALT is different from other chip reset conditions, since it can perform a "warm reset" that resets only the PC and SP, leaving the other circuits in their original state. Some registers remain unchanged during other reset conditions. Most registers are reset to the "initial condition" when the reset conditions are met. By examining the PD and TO flags, the program can distinguish between different "chip resets".

| TO | PD | RESET Conditions                               |
|----|----|--|
| 0  | 0  | $\overline{RES}$ reset during power-up         |
| u  | u  | $\overline{RES}$ reset during normal operation |
| 0  | 1  | $\overline{RES}$ wake-up HALT                  |
| 1  | u  | WDT time-out during normal operation           |
| 1  | 1  | WDT wake-up HALT                               |

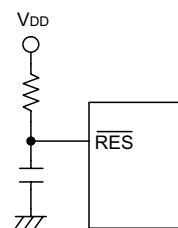
Note: "u" means "unchanged"

To guarantee that the system oscillator is started and stabilized, the SST (System Start-up Timer) provides an extra-delay of 1024 system clock pulses when the system reset (power-up, WDT time-out or  $\overline{RES}$  reset) or the system awakes from the HALT state.

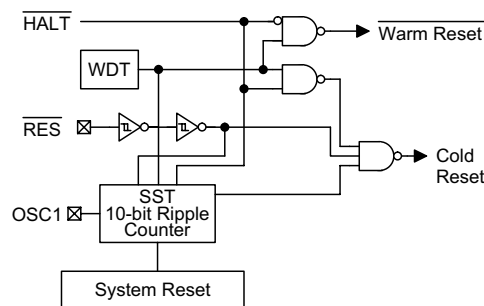
When a system reset occurs, the SST delay is added during the reset period. Any wake-up from HALT will enable the SST delay.



Reset timing chart



Reset circuit



Reset configuration

The functional unit chip reset status are shown below.

|                       |  |
|-----------------------|--|
| PC                    | 000H   |
| Interrupt             | Disable  |
| WDT                   | Clear. After master reset, WDT begins counting |
| Timer / Event Counter | Off  |
| Input/output Ports    | Input mode                                     |
| SP                    | Points to the top of the stack                 |

The registers' states are summarized in the following table.

| Register           | Reset<br>(Power On) | WDT Time-out<br>(Normal<br>Operation) | $\overline{\text{RES}}$ Reset<br>(Normal<br>Operation) | $\overline{\text{RES}}$ Reset<br>(HALT) | WDT<br>Time-out<br>(HALT)* |
|--------------------|---------------------|---------------------------------------|--|---|----------------------------|
| TMR                | xxxx xxxx           | xxxx xxxx                             | xxxx xxxx  | xxxx xxxx                               | uuuu uuuu                  |
| TMRC               | 00-0 1000           | 00-0 1000                             | 00-0 1000  | 00-0 1000                               | uu-u uuuu                  |
| Program<br>Counter | 000H                | 000H                                  | 000H   | 000H                                    | 000H                       |
| MP                 | -xxx xxxx           | -uuu uuuu                             | -uuu uuuu  | -uuu uuuu                               | -uuu uuuu                  |
| ACC                | xxxx xxxx           | uuuu uuuu                             | uuuu uuuu  | uuuu uuuu                               | uuuu uuuu                  |
| TBLP               | xxxx xxxx           | uuuu uuuu                             | uuuu uuuu  | uuuu uuuu                               | uuuu uuuu                  |
| TBLH               | --xx xxxx           | --uu uuuu                             | --uu uuuu  | --uu uuuu                               | --uu uuuu                  |
| STATUS             | --00 xxxx           | --1u uuuu                             | --uu uuuu  | --01 uuuu                               | --11 uuuu                  |
| INTC               | -000 0000           | -000 0000                             | -000 0000  | -000 0000                               | -uuu uuuu                  |
| PA                 | 1111 1111           | 1111 1111                             | 1111 1111  | 1111 1111                               | uuuu uuuu                  |
| PAC                | 1111 1111           | 1111 1111                             | 1111 1111  | 1111 1111                               | uuuu uuuu                  |
| PB                 | ---- 1111           | ---- 1111                             | ---- 1111  | ---- 1111                               | ---- uuuu                  |
| PBC                | ---- 1111           | ---- 1111                             | ---- 1111  | ---- 1111                               | ---- uuuu                  |
| PD                 | ---- --1            | ---- --1                              | ---- --1   | ---- --1                                | ---- --u                   |
| PDC                | ---- --1            | ---- --1                              | ---- --1   | ---- --1                                | ---- --u                   |
| PWM                | xxxx xxxx           | xxxx xxxx                             | xxxx xxxx  | xxxx xxxx                               | uuuu uuuu                  |
| ADRL               | x--- ----           | x--- ----                             | x--- ----  | x--- ----                               | u--- ----                  |
| ADRH               | xxxx xxxx           | xxxx xxxx                             | xxxx xxxx  | xxxx xxxx                               | uuuu uuuu                  |
| ADCR               | 0100 0000           | 0100 0000                             | 0100 0000  | 0100 0000                               | uuuu uuuu                  |
| ACSR               | 1--- --00           | 1--- --00                             | 1--- --00  | 1--- --00                               | u---- --uu                 |

Note: "\*" stands for "warm reset"  
 "u" stands for "unchanged"  
 "x" stands for "unknown"

**Timer/Event Counter**

A timer/event counter (TMR) is implemented in the microcontroller. The timer/event counter contains an 8-bit programmable count-up counter and the clock may come from an external source or the system clock.

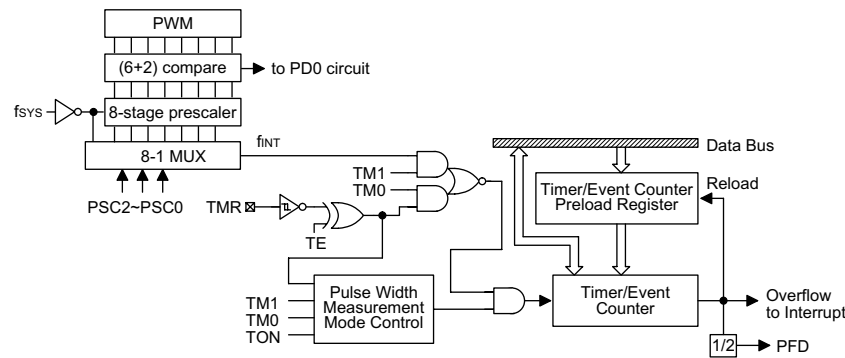
Using the internal system clock, there is only one reference time-base. The internal clock source comes from  $f_{SYS}$ . The external clock input allows the user to count external events,

measure time intervals or pulse widths, or to generate an accurate time base.

There are 2 registers related to the timer/event counter; TMR ([0DH]), TMRC ([0EH]). Two physical registers are mapped to TMR location; writing TMR makes the starting value be placed in the timer/event counter preload register and reading TMR gets the contents of the timer/event counter. The TMRC is a timer/event counter control register, which defines some options.

| Label (TMRC) | Bits   | Function   |
|--------------|--------|--|
| PSC0~PSC2    | 0~2    | To define the prescaler stages, PSC2, PSC1, PSC0=<br>000: $f_{INT}=f_{SYS}$<br>001: $f_{INT}=f_{SYS}/2$<br>010: $f_{INT}=f_{SYS}/4$<br>011: $f_{INT}=f_{SYS}/8$<br>100: $f_{INT}=f_{SYS}/16$<br>101: $f_{INT}=f_{SYS}/32$<br>110: $f_{INT}=f_{SYS}/64$<br>111: $f_{INT}=f_{SYS}/128$ |
| TE           | 3      | To define the TMR active edge of timer/event counter (0=active on low to high; 1=active on high to low)  |
| TON          | 4      | To enable/disable timer counting (0=disabled; 1=enabled)   |
| —            | 5      | Unused bit, read as "0"  |
| TM0<br>TM1   | 6<br>7 | To define the operating mode<br>01=Event count mode (external clock)<br>10=Timer mode (internal clock)<br>11=Pulse width measurement mode<br>00=Unused   |

TMRC register



Timer/Event Counter



The TM0, TM1 bits define the operating mode. The event count mode is used to count external events, which means the clock source comes from an external (TMR) pin. The timer mode functions as a normal timer with the clock source coming from the  $f_{INT}$  clock. The pulse width measurement mode can be used to count the high or low level duration of the external signal (TMR). The counting is based on the  $f_{INT}$ .

In the event count or timer mode, once the timer/event counter starts counting, it will count from the current contents in the timer/event counter to FFH. Once overflow occurs, the counter is reloaded from the timer/event counter preload register and generates the interrupt request flag (TF; bit 5 of INTC) at the same time.

In the pulse width measurement mode with the TON and TE bits equal to one, once the TMR has received a transient from low to high (or high to low if the TE bits is "0") it will start counting until the TMR returns to the original level and resets the TON. The measured result will remain in the timer/event counter even if the activated transient occurs again. In other words, only one cycle measurement can be done. Until setting the TON, the cycle measurement will function again as long as it receives further transient pulse. Note that, in this operating mode, the timer/event counter starts counting not according to the logic level but according to the transient edges. In the case of counter overflows, the counter is reloaded from the timer/event counter preload register and issues the interrupt request just like the other two modes. To enable the counting operation, the timer ON bit (TON; bit 4 of TMRC) should be set to 1. In the pulse width measurement mode, the TON will be cleared automatically after the measurement cycle is completed. But in the other two modes the TON can only be reset by instructions. The overflow of the timer/event counter is one of the wake-up sources. No matter what the operation mode is, writing a 0 to ETI can disable the interrupt service.

In the case of timer/event counter OFF condition, writing data to the timer/event counter preload register will also reload that data to the timer/event counter. But if the timer/event

counter is turned on, data written to it will only be kept in the timer/event counter preload register. The timer/event counter will still operate until overflow occurs. When the timer/event counter (reading TMR) is read, the clock will be blocked to avoid errors. As clock blocking may results in a counting error, this must be taken into consideration by the programmer.

The bit0~bit2 of the TMRC can be used to define the pre-scaling stages of the internal clock sources of timer/event counter. The definitions are as shown. The overflow signal of timer/event counter can be used to generate the PFD signal. The timer prescaler is also used as the PWM counter.

### Input/output ports

There are 13 bidirectional input/output lines in the microcontroller, labeled as PA, PB and PD, which are mapped to the data memory of [12H], [14H] and [18H] respectively. All of these I/O ports can be used for input and output operations. For input operation, these ports are non-latching, that is, the inputs must be ready at the T2 rising edge of instruction "MOV A,[m]" (m=12H, 14H or 18H). For output operation, all the data is latched and remains unchanged until the output latch is rewritten.

Each I/O line has its own control register (PAC, PBC, PDC) to control the input/output configuration. With this control register, CMOS output or Schmitt trigger input with or without pull-high resistor structures can be reconfigured dynamically (i.e. on-the-fly) under software control. To function as an input, the corresponding latch of the control register must write "1". The input source also depends on the control register. If the control register bit is "1", the input will read the pad state. If the control register bit is "0", the contents of the latches will move to the internal bus. The latter is possible in the "read-modify-write" instruction.

For output function, CMOS is the only configuration. These control registers are mapped to locations 13H, 15H and 19H.

After a chip reset, these input/output lines remain at high levels or floating state (dependent

on pull-high options). Each bit of these input/output latches can be set or cleared by "SET [m].i" and "CLR [m].i" (m=12H, 14H or 18H) instructions.

Some instructions first input data and then follow the output operations. For example, "SET [m].i", "CLR [m].i", "CPL [m]", "CPLA [m]" read the entire port states into the CPU, execute the defined operations (bit-operation), and then write the results back to the latches or the accumulator.

Each line of port A has the capability of waking-up the device. The highest 4-bit of port B and 7 bits of port D are not physically implemented; on reading them a "0" is returned whereas writing then results in a no-operation. See Application note.

Each I/O line has a pull-high option. Once the pull-high option is selected, the I/O line has a pull-high resistor, otherwise, there's none. Take note that a non-pull-high I/O line operating in input mode will cause a floating state.

The PA3 is pin-shared with the PFD signal. If the PFD option is selected, the output signal in output mode of PA3 will be the PFD signal gen-

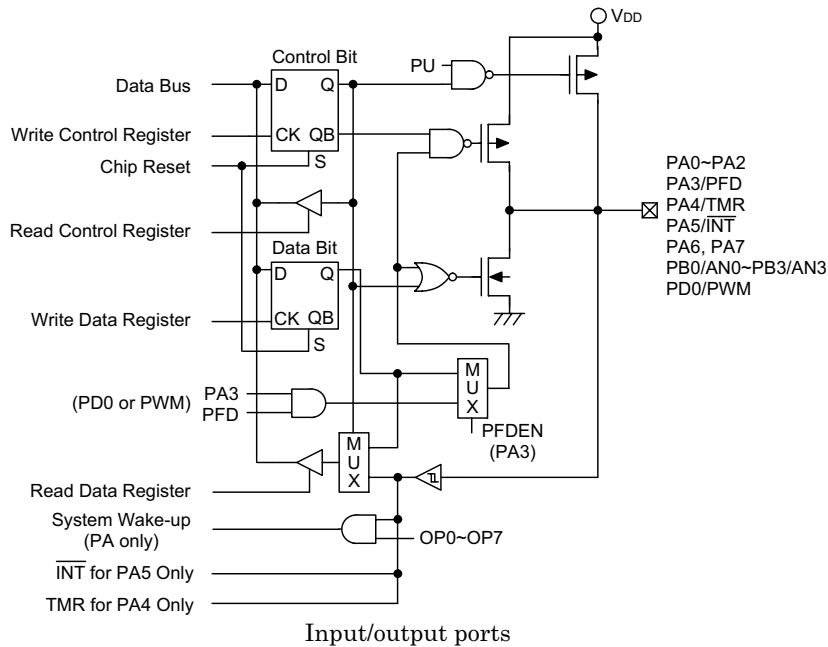
erated by timer/event counter overflow signal. The input mode always remaining its original functions. Once the PFD option is selected, the PFD output signal is controlled by PA3 data register only. Writing "1" to PA3 data register will enable the PFD output function and writing "0" will force the PA3 to remain at "0". The I/O functions of PA3 are shown below.

| I/O Mode | I/P (Normal)  | O/P (Normal)   | I/P (PFD)     | O/P (PFD)      |
|----------|---------------|----------------|---------------|----------------|
| PA3      | Logical Input | Logical Output | Logical Input | PFD (Timer on) |

Note: The PFD frequency is the timer/event counter overflow frequency divided by 2.

The PA5 and PA4 are pin-shared with  $\overline{\text{INT}}$  and TMR pins respectively.

The PB can also be used as A/D converter inputs. The A/D function will be described later. There is a PWM function shared with PD0. If the PWM function is enabled, the PWM signal will appear on PD0 (if PD0 is operating in output mode). The I/O functions of PD0 are as shown.



| I/O Mode | I/P (Normal)  | O/P (Normal)   | I/P (PWM)     | O/P (PWM) |
|----------|---------------|----------------|---------------|-----------|
| PD0      | Logical Input | Logical Output | Logical Input | PWM       |

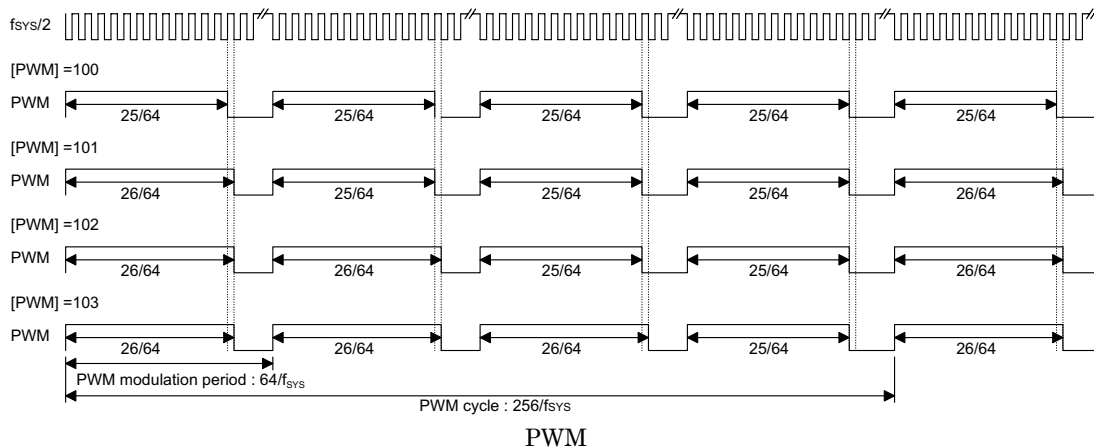
It is recommended that unused or not bonded out I/O lines should be set as output pins by software instruction to avoid consuming power under input floating state.

**PWM**

The microcontroller provides 1 channel (6+2) bits PWM output shared with PD0. The PWM channel has its data register denoted as PWM (1AH). The frequency source of the PWM counter comes from  $f_{SYS}$ . The PWM register is an eight bits register. The waveforms of PWM output are as shown. Once the PD0 is selected as the PWM output and the output function of PD0 is enabled (PDC.0="0"), writing 1 to PD0 data register will enable the PWM output function and writing "0" will force the PD0 to stay at "0".

A PWM cycle is divided into four modulation cycles (modulation cycle 0~modulation cycle 3). Each modulation cycle has 64 PWM input clock period. In a (6+2) bit PWM function, the contents of the PWM register is divided into two groups. Group 1 of the PWM register is denoted by DC which is the value of PWM.7~PWM.2.

The group 2 is denoted by AC which is the value of PWM.1~PWM.0.



In a PWM cycle, the duty cycle of each modulation cycle is shown in the table.

| Parameter                  | AC (0~3)    | Duty Cycle          |
|----------------------------|-------------|---------------------|
| Modulation cycle i (i=0~3) | $i < AC$    | $\frac{DC + 1}{64}$ |
|                            | $i \geq AC$ | $\frac{DC}{64}$     |

The modulation frequency, cycle frequency and cycle duty of the PWM output signal are summarized in the following table.

| PWM Modulation Frequency | PWM Cycle Frequency | PWM Cycle Duty |
|--------------------------|---------------------|----------------|
| $f_{SYS}/64$             | $f_{SYS}/256$       | $[PWM]/256$    |

**A/D converter**

The 4 channels and 9-bit resolution A/D (8-bit accuracy) converter are implemented in this microcontroller. The reference voltage is VDD. The A/D converter contains 4 special registers which are; ADRL (20H), ADRH (21H), ADCR (22H) and ACSR (23H). The ADRH and ADRL are A/D result register higher-order byte and lower-order byte and are read-only. After the A/D conversion is completed, the ADRH and ADRL should be read to get the conversion result data. The ADCR is an A/D converter control register, which defines the A/D channel number, analog channel select, start A/D con-

version control bit and the end of A/D conversion flag. If the users want to start an A/D conversion, define PB configuration, and give START bit a raising edge and a falling edge (0→1→0). At the end of A/D conversion, the  $\overline{EOC}$  bit is cleared and an A/D converter interrupt occurs (if the A/D converter interrupt is enabled). The ACSR is A/D clock setting register, which is used to select the A/D clock source.

The A/D converter control register is used to control the A/D converter. The bit2~bit0 of the ADCR are used to select an analog input channel. There are a total of four channels to select. The bit5~bit3 of the ADCR are used to set PB configurations. PB can be an analog input or as digital I/O line decided by these 3 bits. Once a

PB line is selected as an analog input, the I/O functions and pull-high resistor of this I/O line are disabled, and the A/D converter circuit is power on. The  $\overline{EOC}$  bit (bit6 of the ADCR) is end of A/D conversion flag. Check this bit to know when A/D conversion is completed. The START bit of the ADCR is used to begin the conversion of A/D converter. Give START bit a raising edge and falling edge that means the A/D conversion has started. In order to ensure the A/D conversion is completed, the START should stay at "0" until the  $\overline{EOC}$  is cleared to "0" (end of A/D conversion).

The bit 7 of the ACSR is used for testing purpose only. It can not be used for the users. The bit1 and bit0 of the ACSR are used to select A/D clock sources.

| Label (ADCR)         | Bits        | Function   |
|----------------------|-------------|--|
| ACS0<br>ACS1<br>ACS2 | 0<br>1<br>2 | ACS2, ACS1, ACS0: Select A/D channel<br>0, 0, 0: AN0<br>0, 0, 1: AN1<br>0, 1, 0: AN2<br>0, 1, 1: AN3<br>1, X, X: undefined, cannot be used   |
| PCR0<br>PCR1<br>PCR2 | 3<br>4<br>5 | PCR2, PCR1, PCR0: PB3~PB0 configurations<br>0, 0, 0: PB3 PB2 PB1 PB0 (The ADC circuit is power off to reduce power consumption.)<br>0, 0, 1: PB3 PB2 PB1 AN0<br>0, 1, 0: PB3 PB2 AN1 AN0<br>0, 1, 1: PB3 AN2 AN1 AN0<br>1, x, x: AN3 AN2 AN1 AN0 |
| $\overline{EOC}$     | 6           | End of A/D conversion flag.<br>(0: end of A/D conversion)  |
| START                | 7           | Start the A/D conversion<br>0→1→0: Start<br>0→1: Reset A/D converter and set $\overline{EOC}$ to "1"   |

|                | Bits   | Function   |
|----------------|--------|--|
| ADCS0<br>ADCS1 | 0<br>1 | ADCS1, ADCS0: Select the A/D converter clock source.<br>0, 0: $f_{SYS}/2$<br>0, 1: $f_{SYS}/8$<br>1, 0: $f_{SYS}/32$<br>1, 1: Undefined, cannot be used. |
| —              | 2~6    | Unused bit, read as "0".   |
| TEST           | 7      | For internal test only.  |

When the A/D conversion is completed, the A/D interrupt request flag is set. The  $\overline{EOC}$  bit is set to "1" when the START bit is set from "0" to "1".

| Register | Bit 7 | Bit 6 | Bit 5 | Bit 4 | Bit 3 | Bit 2 | Bit 1 | Bit 0 |
|----------|-------|-------|-------|-------|-------|-------|-------|-------|
| ADRL     | D0    | —     | —     | —     | —     | —     | —     | —     |
| ADRH     | D8    | D7    | D6    | D5    | D4    | D3    | D2    | D1    |

\* D0~D8 is A/D conversion result data bit LSB~MSB.

**Low voltage reset – LVR**

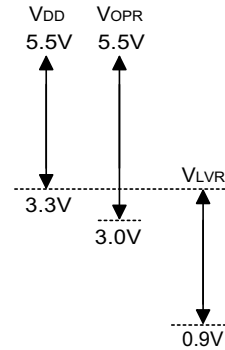
The microcontroller provides low voltage reset circuit in order to monitor the supply voltage of the device. If the supply voltage of the device is within the range 0.9V~3.3V, such as changing a battery, the LVR will automatically reset the device internally.

The LVR includes the following specifications:

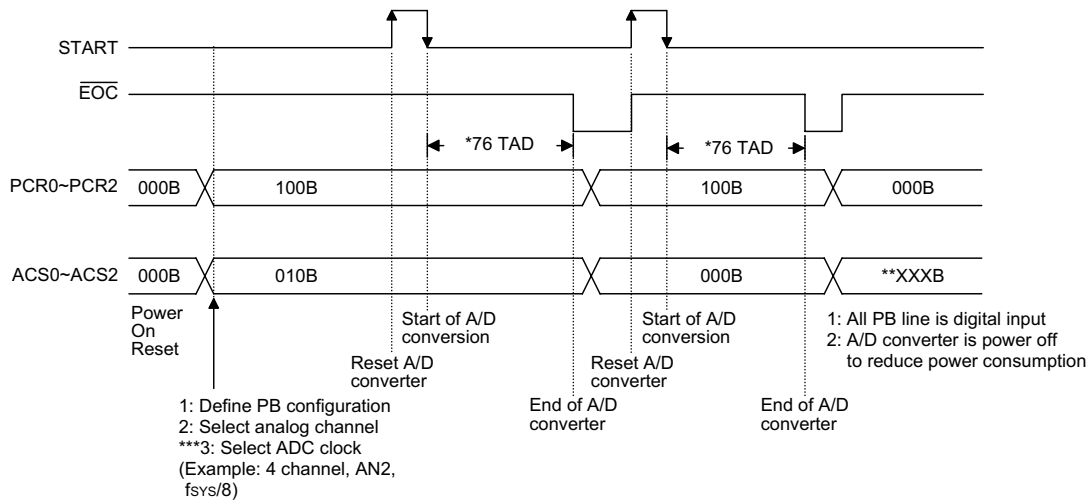
- The low voltage (0.9V~3.3V) has to remain in their original state to exceed 1ms. If the low voltage state does not exceed 1ms, the LVR will ignore it and do not perform a reset function.

- The LVR uses the "OR" function with the external RES signal to perform chip reset.

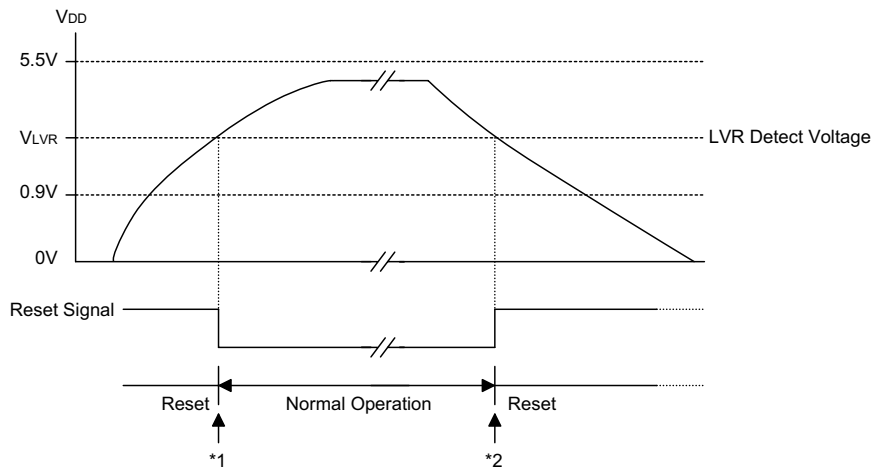
The relationship between  $V_{DD}$  and  $V_{LVR}$  is shown below.



Note:  $V_{OPR}$  is the voltage range for proper chip operation at 4MHz system clock.



Note: \*\*\*\*\* A/D converting time is 76 TAD  
 \*\*\*\*\* XXXB means don't care  
 \*\*\*\*\* ADC clock must be  $f_{sys}/2$ ,  $f_{sys}/8$ ,  $f_{sys}/32$



Low voltage reset

Note: \*1: To make sure that the system oscillator has stabilized, the SST provides an extra delay of 1024 system clock pulses before entering the normal operation.

\*2: Since the low voltage has to maintain in its original state and exceed 1ms, therefore 1ms delay enter the reset mode.

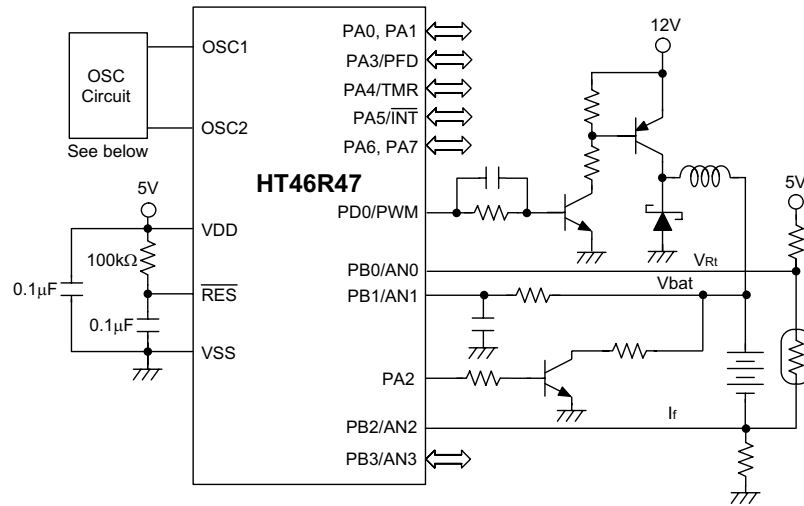
**ROM code option**

The following table shows all kinds of ROM code option in the microcontroller. All of the ROM code options must be defined to ensure proper system functioning.

| Items | Option   |
|-------|--|
| 1     | WDT clock source: WDTOSC/ $f_{TID}$                          |
| 2     | WDT enable/disable: enable/disable                           |
| 3     | CLRWDT instruction(s)<br>: one/two clear WDT instruction(s)  |
| 4     | System oscillator: RC/Crystal                                |
| 5     | Pull-high resistors (PA, PB, PD):<br>none/pull-high          |
| 6     | PWM enable/disable   |
| 7     | PA0~PA7 wake-up: disable/enable                              |
| 8     | PFD enable/disable   |
| 9     | Lock: unlock/lock  |
| 10    | Low voltage reset selection: Enable or disable LVR function. |

Application Circuits

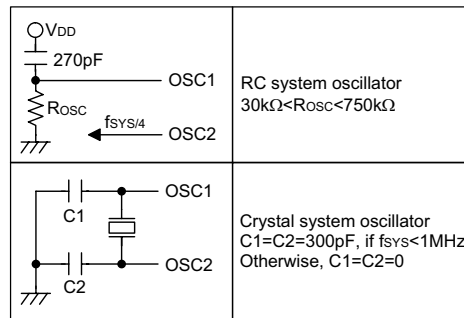
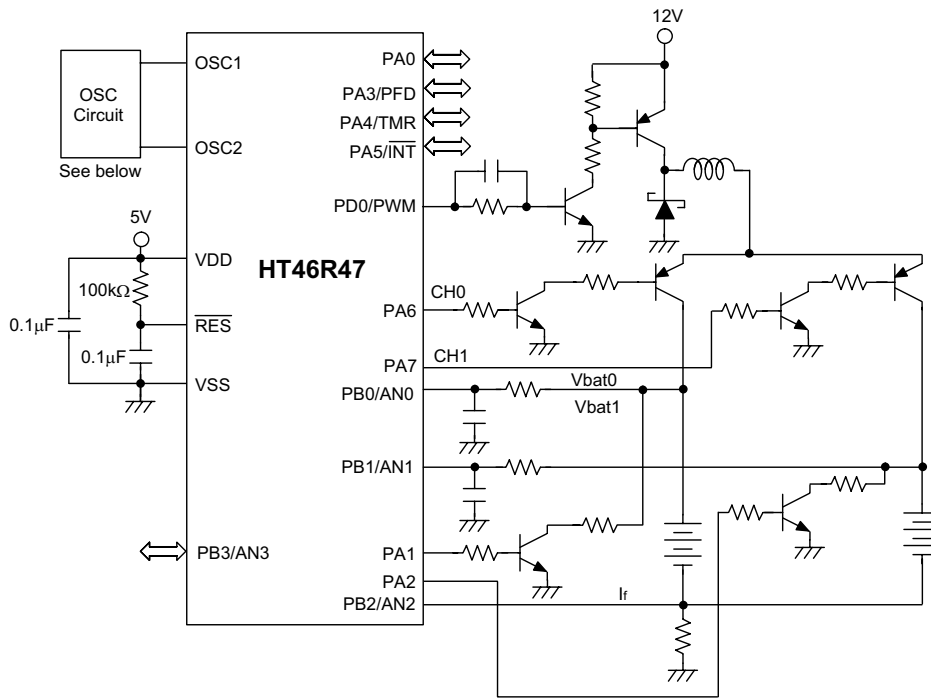
Battery charger for 1-set battery charger applications



Note: The resistance and capacitance for reset circuit should be designed to ensure that the VDD is stable and remains in a valid range of the operating voltage before bringing RES to high.

Vbat: 3.6V (NiCd, NiMH) or 4.1V (Li<sup>+</sup>)

Battery charger for 2-set battery charger applications



Vbat0, Vbat1: 3.6V (NiCd, NiMH) or 4.1V (Li<sup>+</sup>)



**Instruction Set Summary**

| Mnemonic                         | Description  | Instruction Cycle | Flag Affected |
|----------------------------------|--|-------------------|---------------|
| <b>Arithmetic</b>                |  |                   |               |
| ADD A,[m]                        | Add data memory to ACC   | 1                 | Z,C,AC,OV     |
| ADDM A,[m]                       | Add ACC to data memory   | 1 <sup>(1)</sup>  | Z,C,AC,OV     |
| ADD A,x                          | Add immediate data to ACC  | 1                 | Z,C,AC,OV     |
| ADC A,[m]                        | Add data memory to ACC with carry                                  | 1                 | Z,C,AC,OV     |
| ADCM A,[m]                       | Add ACC to register with carry                                     | 1 <sup>(1)</sup>  | Z,C,AC,OV     |
| SUB A,x                          | Subtract immediate data from ACC                                   | 1                 | Z,C,AC,OV     |
| SUB A,[m]                        | Subtract data memory from ACC                                      | 1                 | Z,C,AC,OV     |
| SUBM A,[m]                       | Subtract data memory from ACC with result in data memory           | 1 <sup>(1)</sup>  | Z,C,AC,OV     |
| SBC A,[m]                        | Subtract data memory from ACC with carry                           | 1                 | Z,C,AC,OV     |
| SBCM A,[m]                       | Subtract data memory from ACC with carry and result in data memory | 1 <sup>(1)</sup>  | Z,C,AC,OV     |
| DAA [m]                          | Decimal adjust ACC for addition with result in data memory         | 1 <sup>(1)</sup>  | C             |
| <b>Logic Operation</b>           |  |                   |               |
| AND A,[m]                        | AND data memory to ACC   | 1                 | Z             |
| OR A,[m]                         | OR data memory to ACC  | 1                 | Z             |
| XOR A,[m]                        | Exclusive-OR data memory to ACC                                    | 1                 | Z             |
| ANDM A,[m]                       | AND ACC to data memory   | 1 <sup>(1)</sup>  | Z             |
| ORM A,[m]                        | OR ACC to data memory  | 1 <sup>(1)</sup>  | Z             |
| XORM A,[m]                       | Exclusive-OR ACC to data memory                                    | 1 <sup>(1)</sup>  | Z             |
| AND A,x                          | AND immediate data to ACC  | 1                 | Z             |
| OR A,x                           | OR immediate data to ACC   | 1                 | Z             |
| XOR A,x                          | Exclusive-OR immediate data to ACC                                 | 1                 | Z             |
| CPL [m]                          | Complement data memory   | 1 <sup>(1)</sup>  | Z             |
| CPLA [m]                         | Complement data memory with result in ACC                          | 1                 | Z             |
| <b>Increment &amp; Decrement</b> |  |                   |               |
| INCA [m]                         | Increment data memory with result in ACC                           | 1                 | Z             |
| INC [m]                          | Increment data memory  | 1 <sup>(1)</sup>  | Z             |
| DECA [m]                         | Decrement data memory with result in ACC                           | 1                 | Z             |
| DEC [m]                          | Decrement data memory  | 1 <sup>(1)</sup>  | Z             |

| Mnemonic             | Description   | Instruction Cycle | Flag Affected |
|----------------------|---|-------------------|---------------|
| <b>Rotate</b>        |   |                   |               |
| RRA [m]              | Rotate data memory right with result in ACC               | 1                 | None          |
| RR [m]               | Rotate data memory right                                  | 1 <sup>(1)</sup>  | None          |
| RRCA [m]             | Rotate data memory right through carry with result in ACC | 1                 | C             |
| RRC [m]              | Rotate data memory right through carry                    | 1 <sup>(1)</sup>  | C             |
| RLA [m]              | Rotate data memory left with result in ACC                | 1                 | None          |
| RL [m]               | Rotate data memory left                                   | 1 <sup>(1)</sup>  | None          |
| RLCA [m]             | Rotate data memory left through carry with result in ACC  | 1                 | C             |
| RLC [m]              | Rotate data memory left through carry                     | 1 <sup>(1)</sup>  | C             |
| <b>Data Move</b>     |   |                   |               |
| MOV A,[m]            | Move data memory to ACC                                   | 1                 | None          |
| MOV [m],A            | Move ACC to data memory                                   | 1 <sup>(1)</sup>  | None          |
| MOV A,x              | Move immediate data to ACC                                | 1                 | None          |
| <b>Bit Operation</b> |   |                   |               |
| CLR [m].i            | Clear bit of data memory                                  | 1 <sup>(1)</sup>  | None          |
| SET [m].i            | Set bit of data memory                                    | 1 <sup>(1)</sup>  | None          |
| <b>Branch</b>        |   |                   |               |
| JMP addr             | Jump unconditionally                                      | 2                 | None          |
| SZ [m]               | Skip if data memory is zero                               | 1 <sup>(2)</sup>  | None          |
| SZA [m]              | Skip if data memory is zero with data movement to ACC     | 1 <sup>(2)</sup>  | None          |
| SZ [m].i             | Skip if bit i of data memory is zero                      | 1 <sup>(2)</sup>  | None          |
| SNZ [m].i            | Skip if bit i of data memory is not zero                  | 1 <sup>(2)</sup>  | None          |
| SIZ [m]              | Skip if increment data memory is zero                     | 1 <sup>(3)</sup>  | None          |
| SDZ [m]              | Skip if decrement data memory is zero                     | 1 <sup>(3)</sup>  | None          |
| SIZA [m]             | Skip if increment data memory is zero with result in ACC  | 1 <sup>(2)</sup>  | None          |
| SDZA [m]             | Skip if decrement data memory is zero with result in ACC  | 1 <sup>(2)</sup>  | None          |
| CALL addr            | Subroutine call   | 2                 | None          |
| RET                  | Return from subroutine                                    | 2                 | None          |
| RET A,x              | Return from subroutine and load immediate data to ACC     | 2                 | None          |
| RETI                 | Return from interrupt                                     | 2                 | None          |

| Mnemonic             | Description  | Instruction Cycle | Flag Affected                        |
|----------------------|--|-------------------|--------------------------------------|
| <b>Table Read</b>    |  |                   |                                      |
| TABRDC [m]           | Read ROM code (current page) to data memory and TBLH | 2 <sup>(1)</sup>  | None                                 |
| TABRDL [m]           | Read ROM code (last page) to data memory and TBLH    | 2 <sup>(1)</sup>  | None                                 |
| <b>Miscellaneous</b> |  |                   |                                      |
| NOP                  | No operation   | 1                 | None                                 |
| CLR [m]              | Clear data memory                                    | 1 <sup>(1)</sup>  | None                                 |
| SET [m]              | Set data memory                                      | 1 <sup>(1)</sup>  | None                                 |
| CLR WDT              | Clear Watchdog Timer                                 | 1                 | TO,PD                                |
| CLR WDT1             | Pre-clear Watchdog Timer                             | 1                 | TO <sup>(4)</sup> ,PD <sup>(4)</sup> |
| CLR WDT2             | Pre-clear Watchdog Timer                             | 1                 | TO <sup>(4)</sup> ,PD <sup>(4)</sup> |
| SWAP [m]             | Swap nibbles of data memory                          | 1 <sup>(1)</sup>  | None                                 |
| SWAPA [m]            | Swap nibbles of data memory with result in ACC       | 1                 | None                                 |
| HALT                 | Enter power down mode                                | 1                 | TO,PD                                |

Note: x: 8 bits immediate data

m: Data memory address

A: Accumulator

i: 0~7 number of bits

addr: Program memory address

√: Flag is affected

–: Flag is not affected

<sup>(1)</sup>: If a loading to the PCL register occurs, the execution cycle of instructions will be delayed for one more cycle (four system clocks).

<sup>(2)</sup>: If a skipping to next instruction occurs, the execution cycle of instructions will be delayed one more cycle (four system clocks). Otherwise the original instruction cycle is unchanged.

<sup>(3)</sup>: <sup>(1)</sup> and <sup>(2)</sup>

<sup>(4)</sup>: The flags may be affected by the execution status. If the Watchdog Timer is cleared by executing the CLR WDT1 or CLR WDT2 instruction, the TO is set and the PD is cleared. Otherwise the TO and PD flags remain unchanged.

**Instruction Definition**

**ADC A,[m]** Add data memory and carry to the accumulator.  
 Description The contents of the specified data memory, accumulator and the carry flag are added simultaneously, leaving the result in the accumulator.

Operation  $ACC \leftarrow ACC+[m]+C$

Affected flag(s)

| TC2 | TC1 | TO | PD | OV | Z | AC | C |
|-----|-----|----|----|----|---|----|---|
| —   | —   | —  | —  | √  | √ | √  | √ |

**ADCM A,[m]** Add the accumulator and carry to data memory.  
 Description The contents of the specified data memory, accumulator and the carry flag are added simultaneously, leaving the result in the specified data memory.

Operation  $[m] \leftarrow ACC+[m]+C$

Affected flag(s)

| TC2 | TC1 | TO | PD | OV | Z | AC | C |
|-----|-----|----|----|----|---|----|---|
| —   | —   | —  | —  | √  | √ | √  | √ |

**ADD A,[m]** Add data memory to the accumulator.  
 Description The contents of the specified data memory and the accumulator are added. The result is stored in the accumulator.

Operation  $ACC \leftarrow ACC+[m]$

Affected flag(s)

| TC2 | TC1 | TO | PD | OV | Z | AC | C |
|-----|-----|----|----|----|---|----|---|
| —   | —   | —  | —  | √  | √ | √  | √ |

**ADD A,x** Add immediate data to the accumulator.  
 Description The contents of the accumulator and the specified data are added, leaving the result in the accumulator.

Operation  $ACC \leftarrow ACC+x$

Affected flag(s)

| TC2 | TC1 | TO | PD | OV | Z | AC | C |
|-----|-----|----|----|----|---|----|---|
| —   | —   | —  | —  | √  | √ | √  | √ |

**ADDM A,[m]** Add the accumulator to the data memory.  
 Description The contents of the specified data memory and the accumulator are added. The result is stored in the data memory.  
 Operation  $[m] \leftarrow ACC + [m]$   
 Affected flag(s)

| TC2 | TC1 | TO | PD | OV | Z | AC | C |
|-----|-----|----|----|----|---|----|---|
| —   | —   | —  | —  | √  | √ | √  | √ |

**AND A,[m]** Logical AND accumulator with data memory.  
 Description Data in the accumulator and the specified data memory perform a bitwise logical\_AND operation. The result is stored in the accumulator.  
 Operation  $ACC \leftarrow ACC \text{ "AND" } [m]$   
 Affected flag(s)

| TC2 | TC1 | TO | PD | OV | Z | AC | C |
|-----|-----|----|----|----|---|----|---|
| —   | —   | —  | —  | —  | √ | —  | — |

**AND A,x** Logical AND immediate data to the accumulator.  
 Description Data in the accumulator and the specified data perform a bitwise logical\_AND operation. The result is stored in the accumulator.  
 Operation  $ACC \leftarrow ACC \text{ "AND" } x$   
 Affected flag(s)

| TC2 | TC1 | TO | PD | OV | Z | AC | C |
|-----|-----|----|----|----|---|----|---|
| —   | —   | —  | —  | —  | √ | —  | — |

**ANDM A,[m]** Logical AND data memory with the accumulator.  
 Description Data in the specified data memory and the accumulator perform a bitwise logical\_AND operation. The result is stored in the data memory.  
 Operation  $[m] \leftarrow ACC \text{ "AND" } [m]$   
 Affected flag(s)

| TC2 | TC1 | TO | PD | OV | Z | AC | C |
|-----|-----|----|----|----|---|----|---|
| —   | —   | —  | —  | —  | √ | —  | — |

**CALL addr** Subroutine call.  
 Description The instruction unconditionally calls a subroutine located at the indicated address. The program counter increments once to obtain the address of the next instruction, and pushes this onto the stack. The indicated address is then loaded. Program execution continues with the instruction at this address.

Operation  $Stack \leftarrow PC+1$   
 $PC \leftarrow addr$

Affected flag(s)

| TC2 | TC1 | TO | PD | OV | Z | AC | C |
|-----|-----|----|----|----|---|----|---|
| —   | —   | —  | —  | —  | — | —  | — |

**CLR [m]** Clear data memory.  
 Description The contents of the specified data memory are cleared to 0.

Operation  $[m] \leftarrow 00H$

Affected flag(s)

| TC2 | TC1 | TO | PD | OV | Z | AC | C |
|-----|-----|----|----|----|---|----|---|
| —   | —   | —  | —  | —  | — | —  | — |

**CLR [m].i** Clear bit of data memory.  
 Description The bit i of the specified data memory is cleared to 0.

Operation  $[m].i \leftarrow 0$

Affected flag(s)

| TC2 | TC1 | TO | PD | OV | Z | AC | C |
|-----|-----|----|----|----|---|----|---|
| —   | —   | —  | —  | —  | — | —  | — |

**CLR WDT** Clear Watchdog Timer.  
 Description The WDT and the WDT Prescaler are cleared (re-counting from 0). The power down bit (PD) and time-out bit (TO) are cleared.

Operation  $WDT \text{ and } WDT \text{ Prescaler} \leftarrow 00H$   
 $PD \text{ and } TO \leftarrow 0$

Affected flag(s)

| TC2 | TC1 | TO | PD | OV | Z | AC | C |
|-----|-----|----|----|----|---|----|---|
| —   | —   | 0  | 0  | —  | — | —  | — |

**CLR WDT1**

Preclear Watchdog Timer.

Description

The TO, PD flags, WDT and the WDT Prescaler has cleared (re-counting from 0), if the other preclear WDT instruction has been executed. Only execution of this instruction without the other preclear instruction just sets the indicated flag which implies this instruction has been executed and the TO and PD flags remain unchanged.

Operation

WDT and WDT Prescaler  $\leftarrow$  00H\*  
 PD and TO  $\leftarrow$  0\*

Affected flag(s)

| TC2 | TC1 | TO | PD | OV | Z | AC | C |
|-----|-----|----|----|----|---|----|---|
| —   | —   | 0* | 0* | —  | — | —  | — |

**CLR WDT2**

Preclear Watchdog Timer.

Description

The TO, PD flags, WDT and the WDT Prescaler are cleared (re-counting from 0), if the other preclear WDT instruction has been executed. Only execution of this instruction without the other preclear instruction, sets the indicated flag which implies this instruction has been executed and the TO and PD flags remain unchanged.

Operation

WDT and WDT Prescaler  $\leftarrow$  00H\*  
 PD and TO  $\leftarrow$  0\*

Affected flag(s)

| TC2 | TC1 | TO | PD | OV | Z | AC | C |
|-----|-----|----|----|----|---|----|---|
| —   | —   | 0* | 0* | —  | — | —  | — |

**CPL [m]**

Complement data memory.

Description

Each bit of the specified data memory is logically complemented (1's complement). Bits which previously contained a 1 are changed to 0 and vice-versa.

Operation

[m]  $\leftarrow$   $\overline{[m]}$

Affected flag(s)

| TC2 | TC1 | TO | PD | OV | Z | AC | C |
|-----|-----|----|----|----|---|----|---|
| —   | —   | —  | —  | —  | √ | —  | — |

**CPLA [m]** Complement data memory and place result in the accumulator.  
 Description Each bit of the specified data memory is logically complemented (1's complement). Bits which previously contained a 1 are changed to 0 and vice-versa. The complemented result is stored in the accumulator and the contents of the data memory remain unchanged.

Operation  $ACC \leftarrow [\bar{m}]$

Affected flag(s)

| TC2 | TC1 | TO | PD | OV | Z | AC | C |
|-----|-----|----|----|----|---|----|---|
| —   | —   | —  | —  | —  | √ | —  | — |

**DAA [m]** Decimal-Adjust accumulator for addition.  
 Description The accumulator value is adjusted to the BCD (Binary Coded Decimal) code. The accumulator is divided into two nibbles. Each nibble is adjusted to the BCD code and an internal carry (AC1) will be done if the low nibble of the accumulator is greater than 9. The BCD adjustment is done by adding 6 to the original value if the original value is greater than 9 or a carry (AC or C) is set; otherwise the original value remains unchanged. The result is stored in the data memory and only the carry flag (C) may be affected.

Operation  
 If  $ACC.3 \sim ACC.0 > 9$  or  $AC=1$   
 then  $[m].3 \sim [m].0 \leftarrow (ACC.3 \sim ACC.0) + 6, AC1 = \overline{AC}$   
 else  $[m].3 \sim [m].0 \leftarrow (ACC.3 \sim ACC.0), AC1 = 0$   
 and  
 If  $ACC.7 \sim ACC.4 + AC1 > 9$  or  $C=1$   
 then  $[m].7 \sim [m].4 \leftarrow ACC.7 \sim ACC.4 + 6 + AC1, C=1$   
 else  $[m].7 \sim [m].4 \leftarrow ACC.7 \sim ACC.4 + AC1, C=C$

Affected flag(s)

| TC2 | TC1 | TO | PD | OV | Z | AC | C |
|-----|-----|----|----|----|---|----|---|
| —   | —   | —  | —  | —  | — | —  | √ |

**DEC [m]** Decrement data memory.  
 Description Data in the specified data memory is decremented by 1.  
 Operation  $[m] \leftarrow [m] - 1$

Affected flag(s)

| TC2 | TC1 | TO | PD | OV | Z | AC | C |
|-----|-----|----|----|----|---|----|---|
| —   | —   | —  | —  | —  | √ | —  | — |



**DECA [m]**                      Decrement data memory and place result in the accumulator.  
 Description                      Data in the specified data memory is decremented by 1, leaving the result in the accumulator. The contents of the data memory remain unchanged.  
 Operation                          $ACC \leftarrow [m]-1$   
 Affected flag(s)

| TC2 | TC1 | TO | PD | OV | Z | AC | C |
|-----|-----|----|----|----|---|----|---|
| —   | —   | —  | —  | —  | √ | —  | — |

**HALT**                              Enter power down mode.  
 Description                      This instruction stops program execution and turns off the system clock. The contents of the RAM and registers are retained. The WDT and prescaler are cleared. The power down bit (PD) is set and the WDT time-out bit (TO) is cleared.  
 Operation                          $PC \leftarrow PC+1$   
     $PD \leftarrow 1$   
     $TO \leftarrow 0$

Affected flag(s)

| TC2 | TC1 | TO | PD | OV | Z | AC | C |
|-----|-----|----|----|----|---|----|---|
| —   | —   | 0  | 1  | —  | — | —  | — |

**INC [m]**                            Increment data memory.  
 Description                      Data in the specified data memory is incremented by 1.  
 Operation                          $[m] \leftarrow [m]+1$   
 Affected flag(s)

| TC2 | TC1 | TO | PD | OV | Z | AC | C |
|-----|-----|----|----|----|---|----|---|
| —   | —   | —  | —  | —  | √ | —  | — |

**INCA [m]**                         Increment data memory and place result in the accumulator.  
 Description                      Data in the specified data memory is incremented by 1, leaving the result in the accumulator. The contents of the data memory remain unchanged.  
 Operation                          $ACC \leftarrow [m]+1$

Affected flag(s)

| TC2 | TC1 | TO | PD | OV | Z | AC | C |
|-----|-----|----|----|----|---|----|---|
| —   | —   | —  | —  | —  | √ | —  | — |

**JMP addr**                      Directly jump.  
 Description                      Bits of the program counter are replaced with the directly-specified address unconditionally, and control is passed to this destination.  
 Operation                          $PC \leftarrow \text{addr}$   
 Affected flag(s)

| TC2 | TC1 | TO | PD | OV | Z | AC | C |
|-----|-----|----|----|----|---|----|---|
| —   | —   | —  | —  | —  | — | —  | — |

**MOV A,[m]**                      Move data memory to the accumulator.  
 Description                      The contents of the specified data memory are copied to the accumulator.  
 Operation                          $ACC \leftarrow [m]$   
 Affected flag(s)

| TC2 | TC1 | TO | PD | OV | Z | AC | C |
|-----|-----|----|----|----|---|----|---|
| —   | —   | —  | —  | —  | — | —  | — |

**MOV A,x**                         Move immediate data to the accumulator.  
 Description                      The 8-bit data specified by the code is loaded into the accumulator.  
 Operation                          $ACC \leftarrow x$   
 Affected flag(s)

| TC2 | TC1 | TO | PD | OV | Z | AC | C |
|-----|-----|----|----|----|---|----|---|
| —   | —   | —  | —  | —  | — | —  | — |

**MOV [m],A**                      Move the accumulator to data memory.  
 Description                      The contents of the accumulator are copied to the specified data memory (one of the data memory).  
 Operation                          $[m] \leftarrow ACC$   
 Affected flag(s)

| TC2 | TC1 | TO | PD | OV | Z | AC | C |
|-----|-----|----|----|----|---|----|---|
| —   | —   | —  | —  | —  | — | —  | — |

**NOP**                                No operation.  
 Description                      No operation is performed. Execution continues with the next instruction.  
 Operation                          $PC \leftarrow PC+1$   
 Affected flag(s)

| TC2 | TC1 | TO | PD | OV | Z | AC | C |
|-----|-----|----|----|----|---|----|---|
| —   | —   | —  | —  | —  | — | —  | — |

**OR A,[m]** Logical OR accumulator with data memory.  
 Description Data in the accumulator and the specified data memory (one of the data memory) perform a bitwise logical\_OR operation. The result is stored in the accumulator.

Operation  $ACC \leftarrow ACC \text{ "OR" } [m]$

Affected flag(s)

| TC2 | TC1 | TO | PD | OV | Z | AC | C |
|-----|-----|----|----|----|---|----|---|
| —   | —   | —  | —  | —  | √ | —  | — |

**OR A,x** Logical OR immediate data to the accumulator.  
 Description Data in the accumulator and the specified data perform a bitwise logical\_OR operation. The result is stored in the accumulator.

Operation  $ACC \leftarrow ACC \text{ "OR" } x$

Affected flag(s)

| TC2 | TC1 | TO | PD | OV | Z | AC | C |
|-----|-----|----|----|----|---|----|---|
| —   | —   | —  | —  | —  | √ | —  | — |

**ORM A,[m]** Logical OR data memory with the accumulator.  
 Description Data in the data memory (one of the data memory) and the accumulator perform a bitwise logical\_OR operation. The result is stored in the data memory.

Operation  $[m] \leftarrow ACC \text{ "OR" } [m]$

Affected flag(s)

| TC2 | TC1 | TO | PD | OV | Z | AC | C |
|-----|-----|----|----|----|---|----|---|
| —   | —   | —  | —  | —  | √ | —  | — |

**RET** Return from subroutine.  
 Description The program counter is restored from the stack. This is a 2 cycle instruction.

Operation  $PC \leftarrow \text{Stack}$

Affected flag(s)

| TC2 | TC1 | TO | PD | OV | Z | AC | C |
|-----|-----|----|----|----|---|----|---|
| —   | —   | —  | —  | —  | — | —  | — |

**RET A,x** Return and place immediate data in the accumulator.  
 Description The program counter is restored from the stack and the accumulator loaded with the specified 8-bit immediate data.

Operation  $PC \leftarrow \text{Stack}$   
 $ACC \leftarrow x$

Affected flag(s)

| TC2 | TC1 | TO | PD | OV | Z | AC | C |
|-----|-----|----|----|----|---|----|---|
| —   | —   | —  | —  | —  | — | —  | — |

**RETI** Return from interrupt.

Description The program counter is restored from the stack, and interrupts are enabled by setting the EMI bit. EMI is the enable master (global) interrupt bit (bit 0; register INTC).

Operation  $PC \leftarrow \text{Stack}$   
 $EMI \leftarrow 1$

Affected flag(s)

| TC2 | TC1 | TO | PD | OV | Z | AC | C |
|-----|-----|----|----|----|---|----|---|
| —   | —   | —  | —  | —  | — | —  | — |

**RL [m]** Rotate data memory left.

Description The contents of the specified data memory are rotated 1 bit left with bit 7 rotated into bit 0.

Operation  $[m].(i+1) \leftarrow [m].i$ ;  $[m].i$ :bit  $i$  of the data memory ( $i=0\sim 6$ )  
 $[m].0 \leftarrow [m].7$

Affected flag(s)

| TC2 | TC1 | TO | PD | OV | Z | AC | C |
|-----|-----|----|----|----|---|----|---|
| —   | —   | —  | —  | —  | — | —  | — |

**RLA [m]** Rotate data memory left and place result in the accumulator.

Description Data in the specified data memory is rotated 1 bit left with bit 7 rotated into bit 0, leaving the rotated result in the accumulator. The contents of the data memory remain unchanged.

Operation  $ACC.(i+1) \leftarrow [m].i$ ;  $[m].i$ :bit  $i$  of the data memory ( $i=0\sim 6$ )  
 $ACC.0 \leftarrow [m].7$

Affected flag(s)

| TC2 | TC1 | TO | PD | OV | Z | AC | C |
|-----|-----|----|----|----|---|----|---|
| —   | —   | —  | —  | —  | — | —  | — |

**RLC [m]** Rotate data memory left through carry.  
 Description The contents of the specified data memory and the carry flag are rotated 1 bit left. Bit 7 replaces the carry bit; the original carry flag is rotated into the bit 0 position.

Operation  $[m].(i+1) \leftarrow [m].i$ ;  $[m].i$ :bit i of the data memory (i=0~6)  
 $[m].0 \leftarrow C$   
 $C \leftarrow [m].7$

Affected flag(s)

| TC2 | TC1 | TO | PD | OV | Z | AC | C |
|-----|-----|----|----|----|---|----|---|
| —   | —   | —  | —  | —  | — | —  | √ |

**RLCA [m]** Rotate left through carry and place result in the accumulator.  
 Description Data in the specified data memory and the carry flag are rotated 1 bit left. Bit 7 replaces the carry bit and the original carry flag is rotated into bit 0 position. The rotated result is stored in the accumulator but the contents of the data memory remain unchanged.

Operation  $ACC.(i+1) \leftarrow [m].i$ ;  $[m].i$ :bit i of the data memory (i=0~6)  
 $ACC.0 \leftarrow C$   
 $C \leftarrow [m].7$

Affected flag(s)

| TC2 | TC1 | TO | PD | OV | Z | AC | C |
|-----|-----|----|----|----|---|----|---|
| —   | —   | —  | —  | —  | — | —  | √ |

**RR [m]** Rotate data memory right.  
 Description The contents of the specified data memory are rotated 1 bit right with bit 0 rotated to bit 7.

Operation  $[m].i \leftarrow [m].(i+1)$ ;  $[m].i$ :bit i of the data memory (i=0~6)  
 $[m].7 \leftarrow [m].0$

Affected flag(s)

| TC2 | TC1 | TO | PD | OV | Z | AC | C |
|-----|-----|----|----|----|---|----|---|
| —   | —   | —  | —  | —  | — | —  | — |

**RRA [m]** Rotate right and place result in the accumulator.  
 Description Data in the specified data memory is rotated 1 bit right with bit 0 rotated into bit 7, leaving the rotated result in the accumulator. The contents of the data memory remain unchanged.  
 Operation  $ACC.i \leftarrow [m].(i+1)$ ;  $[m].i$ :bit i of the data memory (i=0~6)  
 $ACC.7 \leftarrow [m].0$

Affected flag(s)

| TC2 | TC1 | TO | PD | OV | Z | AC | C |
|-----|-----|----|----|----|---|----|---|
| —   | —   | —  | —  | —  | — | —  | — |

**RRC [m]** Rotate data memory right through carry.  
 Description The contents of the specified data memory and the carry flag are together rotated 1 bit right. Bit 0 replaces the carry bit; the original carry flag is rotated into the bit 7 position.  
 Operation  $[m].i \leftarrow [m].(i+1)$ ;  $[m].i$ :bit i of the data memory (i=0~6)  
 $[m].7 \leftarrow C$   
 $C \leftarrow [m].0$

Affected flag(s)

| TC2 | TC1 | TO | PD | OV | Z | AC | C |
|-----|-----|----|----|----|---|----|---|
| —   | —   | —  | —  | —  | — | —  | √ |

**RRCA [m]** Rotate right through carry and place result in the accumulator.  
 Description Data of the specified data memory and the carry flag are rotated 1 bit right. Bit 0 replaces the carry bit and the original carry flag is rotated into the bit 7 position. The rotated result is stored in the accumulator. The contents of the data memory remain unchanged.  
 Operation  $ACC.i \leftarrow [m].(i+1)$ ;  $[m].i$ :bit i of the data memory (i=0~6)  
 $ACC.7 \leftarrow C$   
 $C \leftarrow [m].0$

Affected flag(s)

| TC2 | TC1 | TO | PD | OV | Z | AC | C |
|-----|-----|----|----|----|---|----|---|
| —   | —   | —  | —  | —  | — | —  | √ |

**SBC A,[m]** Subtract data memory and carry from the accumulator.  
 Description The contents of the specified data memory and the complement of the carry flag are subtracted from the accumulator, leaving the result in the accumulator.

Operation  $ACC \leftarrow ACC + \overline{[m]} + C$

Affected flag(s)

| TC2 | TC1 | TO | PD | OV | Z | AC | C |
|-----|-----|----|----|----|---|----|---|
| —   | —   | —  | —  | √  | √ | √  | √ |

**SBCM A,[m]** Subtract data memory and carry from the accumulator.

Description The contents of the specified data memory and the complement of the carry flag are subtracted from the accumulator, leaving the result in the data memory.

Operation  $[m] \leftarrow ACC + \overline{[m]} + C$

Affected flag(s)

| TC2 | TC1 | TO | PD | OV | Z | AC | C |
|-----|-----|----|----|----|---|----|---|
| —   | —   | —  | —  | √  | √ | √  | √ |

**SDZ [m]** Skip if decrement data memory is 0.

Description The contents of the specified data memory are decremented by 1. If the result is 0, the next instruction is skipped. If the result is 0, the following instruction, fetched during the current instruction execution, is discarded and a dummy cycle is replaced to get the proper instruction (2 cycles). Otherwise proceed with the next instruction (1 cycle).

Operation Skip if  $([m]-1)=0$ ,  $[m] \leftarrow ([m]-1)$

Affected flag(s)

| TC2 | TC1 | TO | PD | OV | Z | AC | C |
|-----|-----|----|----|----|---|----|---|
| —   | —   | —  | —  | —  | — | —  | — |

**SDZA [m]** Decrement data memory and place result in ACC, skip if 0.

Description The contents of the specified data memory are decremented by 1. If the result is 0, the next instruction is skipped. The result is stored in the accumulator but the data memory remains unchanged. If the result is 0, the following instruction, fetched during the current instruction execution, is discarded and a dummy cycle is replaced to get the proper instruction (2 cycles). Otherwise proceed with the next instruction (1 cycle).

Operation Skip if  $([m]-1)=0$ ,  $ACC \leftarrow ([m]-1)$

Affected flag(s)

| TC2 | TC1 | TO | PD | OV | Z | AC | C |
|-----|-----|----|----|----|---|----|---|
| —   | —   | —  | —  | —  | — | —  | — |

**SET [m]** Set data memory.  
 Description Each bit of the specified data memory is set to 1.  
 Operation  $[m] \leftarrow FFH$   
 Affected flag(s)

| TC2 | TC1 | TO | PD | OV | Z | AC | C |
|-----|-----|----|----|----|---|----|---|
| —   | —   | —  | —  | —  | — | —  | — |

**SET [m].i** Set bit of data memory.  
 Description Bit "i" of the specified data memory is set to 1.  
 Operation  $[m].i \leftarrow 1$   
 Affected flag(s)

| TC2 | TC1 | TO | PD | OV | Z | AC | C |
|-----|-----|----|----|----|---|----|---|
| —   | —   | —  | —  | —  | — | —  | — |

**SIZ [m]** Skip if increment data memory is 0.  
 Description The contents of the specified data memory are incremented by 1. If the result is 0, the following instruction, fetched during the current instruction execution, is discarded and a dummy cycle is replaced to get the proper instruction (2 cycles). Otherwise proceed with the next instruction (1 cycle).  
 Operation Skip if  $([m]+1)=0$ ,  $[m] \leftarrow ([m]+1)$   
 Affected flag(s)

| TC2 | TC1 | TO | PD | OV | Z | AC | C |
|-----|-----|----|----|----|---|----|---|
| —   | —   | —  | —  | —  | — | —  | — |

**SIZA [m]** Increment data memory and place result in ACC, skip if 0.  
 Description The contents of the specified data memory are incremented by 1. If the result is 0, the next instruction is skipped and the result is stored in the accumulator. The data memory remains unchanged. If the result is 0, the following instruction, fetched during the current instruction execution, is discarded and a dummy cycle is replaced to get the proper instruction (2 cycles). Otherwise proceed with the next instruction (1 cycle).  
 Operation Skip if  $([m]+1)=0$ ,  $ACC \leftarrow ([m]+1)$   
 Affected flag(s)

| TC2 | TC1 | TO | PD | OV | Z | AC | C |
|-----|-----|----|----|----|---|----|---|
| —   | —   | —  | —  | —  | — | —  | — |



**SNZ [m].i** Skip if bit "i" of the data memory is not 0.

Description If bit "i" of the specified data memory is not 0, the next instruction is skipped. If bit "i" of the data memory is not 0, the following instruction, fetched during the current instruction execution, is discarded and a dummy cycle is replaced to get the proper instruction (2 cycles). Otherwise proceed with the next instruction (1 cycle).

Operation Skip if [m].i≠0

Affected flag(s)

| TC2 | TC1 | TO | PD | OV | Z | AC | C |
|-----|-----|----|----|----|---|----|---|
| —   | —   | —  | —  | —  | — | —  | — |

**SUB A,[m]** Subtract data memory from the accumulator.

Description The specified data memory is subtracted from the contents of the accumulator, leaving the result in the accumulator.

Operation  $ACC \leftarrow ACC + [\bar{m}] + 1$

Affected flag(s)

| TC2 | TC1 | TO | PD | OV | Z | AC | C |
|-----|-----|----|----|----|---|----|---|
| —   | —   | —  | —  | √  | √ | √  | √ |

**SUBM A,[m]** Subtract data memory from the accumulator.

Description The specified data memory is subtracted from the contents of the accumulator, leaving the result in the data memory.

Operation  $[m] \leftarrow ACC + [\bar{m}] + 1$

Affected flag(s)

| TC2 | TC1 | TO | PD | OV | Z | AC | C |
|-----|-----|----|----|----|---|----|---|
| —   | —   | —  | —  | √  | √ | √  | √ |

**SUB A,x** Subtract immediate data from the accumulator.

Description The immediate data specified by the code is subtracted from the contents of the accumulator, leaving the result in the accumulator.

Operation  $ACC \leftarrow ACC + \bar{x} + 1$

Affected flag(s)

| TC2 | TC1 | TO | PD | OV | Z | AC | C |
|-----|-----|----|----|----|---|----|---|
| —   | —   | —  | —  | √  | √ | √  | √ |

**SWAP [m]** Swap nibbles within the data memory.  
 Description The low-order and high-order nibbles of the specified data memory (one of the data memories) are interchanged.  
 Operation  $[m].3 \sim [m].0 \leftrightarrow [m].7 \sim [m].4$   
 Affected flag(s)

| TC2 | TC1 | TO | PD | OV | Z | AC | C |
|-----|-----|----|----|----|---|----|---|
| —   | —   | —  | —  | —  | — | —  | — |

**SWAPA [m]** Swap data memory and place result in the accumulator.  
 Description The low-order and high-order nibbles of the specified data memory are interchanged, writing the result to the accumulator. The contents of the data memory remain unchanged.  
 Operation  $ACC.3 \sim ACC.0 \leftarrow [m].7 \sim [m].4$   
 $ACC.7 \sim ACC.4 \leftarrow [m].3 \sim [m].0$   
 Affected flag(s)

| TC2 | TC1 | TO | PD | OV | Z | AC | C |
|-----|-----|----|----|----|---|----|---|
| —   | —   | —  | —  | —  | — | —  | — |

**SZ [m]** Skip if data memory is 0.  
 Description If the contents of the specified data memory are 0, the following instruction, fetched during the current instruction execution, is discarded and a dummy cycle is replaced to get the proper instruction (2 cycles). Otherwise proceed with the next instruction (1 cycle).  
 Operation Skip if  $[m]=0$   
 Affected flag(s)

| TC2 | TC1 | TO | PD | OV | Z | AC | C |
|-----|-----|----|----|----|---|----|---|
| —   | —   | —  | —  | —  | — | —  | — |

**SZA [m]** Move data memory to ACC, skip if 0.  
 Description The contents of the specified data memory are copied to the accumulator. If the contents is 0, the following instruction, fetched during the current instruction execution, is discarded and a dummy cycle is replaced to get the proper instruction (2 cycles). Otherwise proceed with the next instruction (1 cycle).  
 Operation Skip if  $[m]=0$ ,  $ACC \leftarrow [m]$   
 Affected flag(s)

| TC2 | TC1 | TO | PD | OV | Z | AC | C |
|-----|-----|----|----|----|---|----|---|
| —   | —   | —  | —  | —  | — | —  | — |

**SZ [m].i** Skip if bit "i" of the data memory is 0.  
 Description If bit "i" of the specified data memory is 0, the following instruction, fetched during the current instruction execution, is discarded and a dummy cycle is replaced to get the proper instruction (2 cycles). Otherwise proceed with the next instruction (1 cycle).

Operation Skip if [m].i=0

Affected flag(s)

| TC2 | TC1 | TO | PD | OV | Z | AC | C |
|-----|-----|----|----|----|---|----|---|
| —   | —   | —  | —  | —  | — | —  | — |

**TABRDC [m]** Move the ROM code (current page) to TBLH and data memory.  
 Description The low byte of ROM code (current page) addressed by the table pointer (TBLP) is moved to the specified data memory and the high byte transferred to TBLH directly.

Operation [m] ← ROM code (low byte)  
 TBLH ← ROM code (high byte)

Affected flag(s)

| TC2 | TC1 | TO | PD | OV | Z | AC | C |
|-----|-----|----|----|----|---|----|---|
| —   | —   | —  | —  | —  | — | —  | — |

**TABRDL [m]** Move the ROM code (last page) to TBLH and data memory.  
 Description The low byte of ROM code (last page) addressed by the table pointer (TBLP) is moved to the data memory and the high byte transferred to TBLH directly.

Operation [m] ← ROM code (low byte)  
 TBLH ← POM code (high byte)

Affected flag(s)

| TC2 | TC1 | TO | PD | OV | Z | AC | C |
|-----|-----|----|----|----|---|----|---|
| —   | —   | —  | —  | —  | — | —  | — |

**XOR A,[m]** Logical XOR accumulator with data memory.  
 Description Data in the accumulator and the indicated data memory perform a bitwise logical Exclusive\_OR operation and the result is stored in the accumulator.

Operation ACC ← ACC "XOR" [m]

Affected flag(s)

| TC2 | TC1 | TO | PD | OV | Z | AC | C |
|-----|-----|----|----|----|---|----|---|
| —   | —   | —  | —  | —  | √ | —  | — |

**XORM A,[m]**

Logical XOR data memory with the accumulator.

Description

Data in the indicated data memory and the accumulator perform a bitwise logical Exclusive\_OR operation. The result is stored in the data memory. The 0 flag is affected.

Operation

 $[m] \leftarrow \text{ACC "XOR" } [m]$ 

Affected flag(s)

| TC2 | TC1 | TO | PD | OV | Z | AC | C |
|-----|-----|----|----|----|---|----|---|
| —   | —   | —  | —  | —  | √ | —  | — |

**XOR A,x**

Logical XOR immediate data to the accumulator.

Description

Data in the accumulator and the specified data perform a bitwise logical Exclusive\_OR operation. The result is stored in the accumulator. The 0 flag is affected.

Operation

 $\text{ACC} \leftarrow \text{ACC "XOR" } x$ 

Affected flag(s)

| TC2 | TC1 | TO | PD | OV | Z | AC | C |
|-----|-----|----|----|----|---|----|---|
| —   | —   | —  | —  | —  | √ | —  | — |

**Holtek Semiconductor Inc. (Headquarters)**

No.3, Creation Rd. II, Science-based Industrial Park, Hsinchu, Taiwan  
Tel: 886-3-563-1999  
Fax: 886-3-563-1189

**Holtek Semiconductor Inc. (Taipei Office)**

11F, No.576, Sec.7 Chung Hsiao E. Rd., Taipei, Taiwan  
Tel: 886-2-2782-9635  
Fax: 886-2-2782-9636  
Fax: 886-2-2782-7128 (International sales hotline)

**Holtek Semiconductor (Hong Kong) Ltd.**

RM.711, Tower 2, Cheung Sha Wan Plaza, 833 Cheung Sha Wan Rd., Kowloon, Hong Kong  
Tel: 852-2-745-8288  
Fax: 852-2-742-8657

**Holtek Semiconductor (Shanghai) Ltd.**

7th Floor, Building 2, No.889, Yi Shan Rd., Shanghai, China  
Tel: 021-6485-5560  
Fax: 021-6485-0313

**Holmate Technology Corp.**

48531 Warm Springs Boulevard, Suite 413, Fremont, CA 94539  
Tel: 510-252-9880  
Fax: 510-252-9885

Copyright © 2001 by HOLTEK SEMICONDUCTOR INC.

The information appearing in this Data Sheet is believed to be accurate at the time of publication. However, Holtek assumes no responsibility arising from the use of the specifications described. The applications mentioned herein are used solely for the purpose of illustration and Holtek makes no warranty or representation that such applications will be suitable without further modification, nor recommends the use of its products for application that may present a risk to human life due to malfunction or otherwise. Holtek reserves the right to alter its products without prior notification. For the most up-to-date information, please visit our web site at <http://www.holtek.com.tw>.