

STK 0080 II

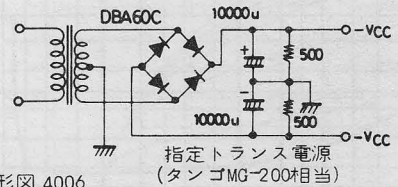
Integrato finale 80 W

		unit
V_{CC} max	± 65	V
θ_{j-c}	1.2	$^{\circ}\text{C}/\text{W}$
I_C	12	A
T_j	150	$^{\circ}\text{C}$
T_{stg}	-30 ~ +105	$^{\circ}\text{C}$
t_s	$V_{CC} = \pm 47\text{V}^*$, $R_L = 8\Omega$, $P_O = 80\text{W}$, $f = 50\text{Hz}$	1 sec

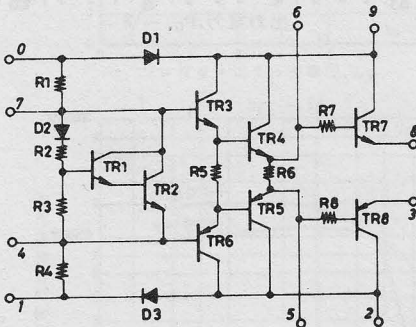
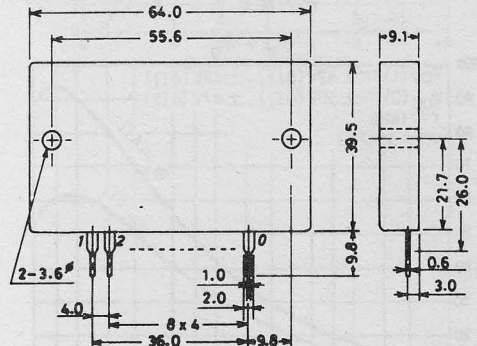
		unit
V_{CC}	± 47	V
R_L	8	Ω

$T_a = 25^{\circ}\text{C}$, $V_{CC} = \pm 47\text{V}$, $R_L = 8\Omega$, $R_g = 600\Omega$, $V_G = 36.7\text{dB}$,

		min	typ	max	unit
I_{CCO}	$V_{CC} = \pm 55\text{V}$	20	40	70	mA
P_O	THD = 0.01%, $f = 20 \sim 20\text{k Hz}$	80			W
THD (1)	$P_O = 80\text{W}$, $f = 20 \sim 20\text{k Hz}$		0.005	0.01	%
THD (2)	$P_O = 1\text{W}$, $f = 20 \sim 20\text{k Hz}$			0.01	%
THD-P	$P_O = 40\text{W}$, $f = 50\text{k Hz}$		0.05		%



外形図 4006
(unit: mm)



80 W min AF

